

SCH15/2 SERIES PROCESS DISPLAY CONNECTION HEAD

- **SENSOR OR SURFACE / WALL MOUNT**
- **STAINLESS STEEL CONSTRUCTION**
- **M16, M20, ½" BSP THREAD ENTRIES**
- **SEALED TO IP67 (with field display or cap fitted)**
- **TRANSMITTER MOUNTING HOLES**
- **CAN BE USED WITH DM600, 700, 710 SERIES PROCESS DISPLAYS**

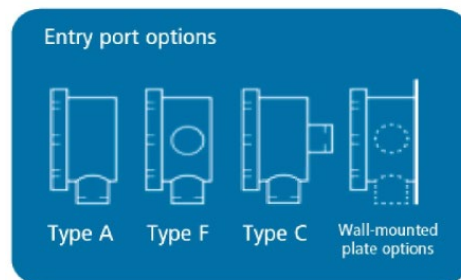


SCH15

➤ INTRODUCTION

Manufactured in stainless-steel, the SCH15/2 has been designed with single or dual entries. Together with the cap, it can be used as a stainless-steel connection head with a transmitter or connection block.

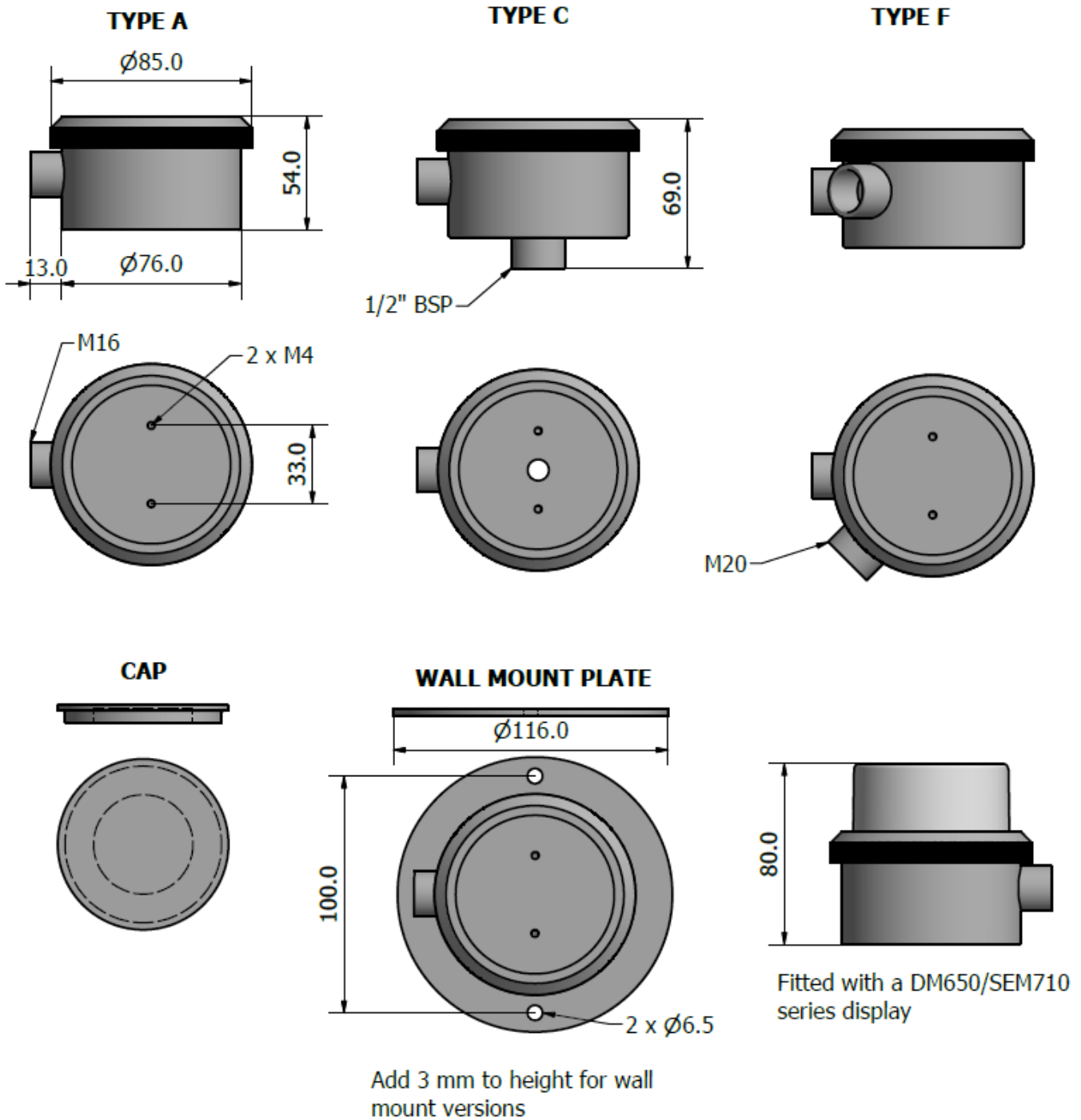
Also, it can accept our range of process display products. The DM650TM, DM700 and SEM710 range can be fitted, allowing for a process readout at the point of measurement.



MECHANICAL	
Type/Function	Description
Material	Stainless-steel 303
IP rating	IP67* when used with SCH15/2/CAP or compatible Status Instruments field displays
Weight (approx.) in g no display fitted	SCH15/A = 700, SCH15/A/W = 955, SCH15/C = 700, SCH15/C/W = 955 CAP = 120
*Suitable cable glands must be used, and any probe sealed to IP67 to maintain	

SCH15 SERIES ORDER CODE				
For further options please contact sales@status.co.uk				
Order Code	Body type	Base entry Thread	Side entry A Thread	Side entry B Thread
SCH15/2/A	Single side entry	-	M16	-
SCH15/2/A/W	Single side entry – Wall mount	-	M16	-
SCH15/2/C	Dual entry, base + side	½" BSP	M16	-
SCH15/2/F	Dual side entry	-	M16	M20
SCH15/2/F/W	Dual side entry – Wall mount	-	M16	M20
SCH15/2/CAP	Use when no display is fitted	-	-	-
M4 x 6 (2 off)	Screws for mounting SEM203/SEM206 and TTR Series Transmitters			
M4 x 20 (2 off)	Screws for mounting SEM210 and SEM310 Series Transmitters			

SCH15/2 SERIES PROCESS DISPLAY CONNECTION HEAD



Dims in mm
Wall mount version SCH/2/AW shown above.

The data in this document is subject to change. Status Instruments assumes no responsibility for errors

Status Instruments Ltd
Status Business Park
Gannaway Lane, Tewkesbury
Gloucestershire, GL20 8FD, UK

Tel: +44 (0)1684 296818
Fax: +44 (0)1684 293746
Email: sales@status.co.uk
Website: www.status.co.uk

