

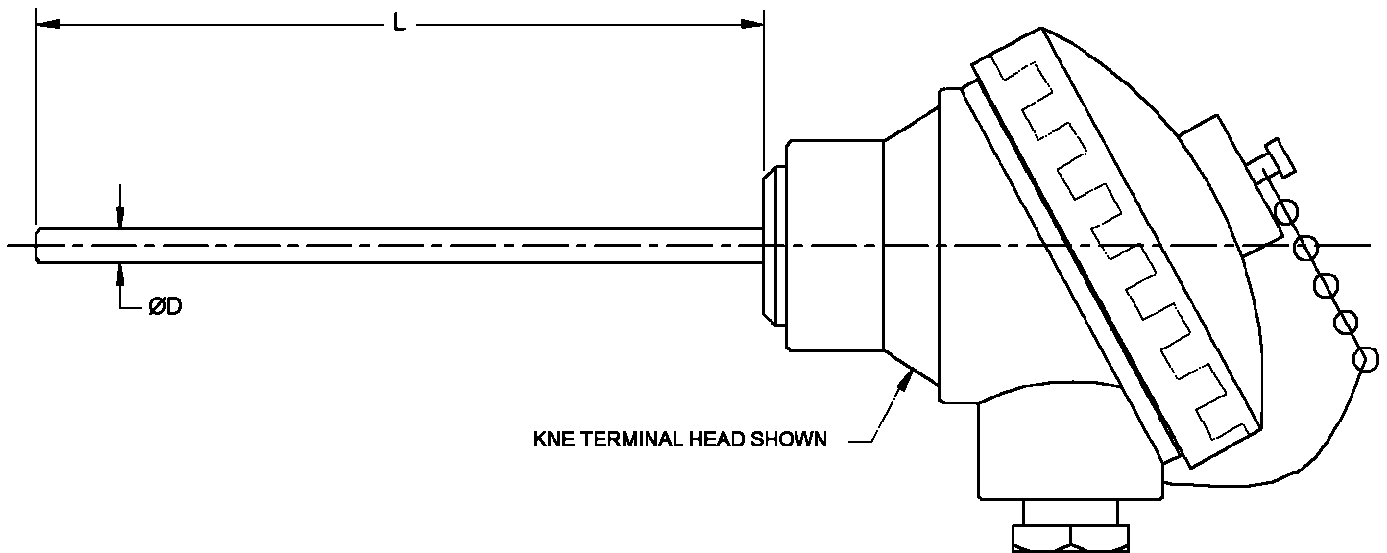
# PT100-3PA

## PCT Resistance Thermometer with Terminal Head



## Temperature Solutions from Premier Control

- Plain Stem Probe below Terminal Head
- Heads available in Aluminium, Stainless Steel, Nylon or ABS.
- Up to IP68 environmental protection
- Choice of Head Fittings - Block, Transmitter or Tails
- Battery powered or loop powered displays
- Ideal for Sliding Compression Fittings or Pockets



### Specifications

Sensor Type	Platinum Resistance Thermometer—Pt100 Other types available—please enquire.
Operating Range	-50 to +250°C unless otherwise requested.
Sheath Material	316 stainless steel
Tolerance Band	Class B, Class A, 1/3 DIN, 1/5 DIN or 1/10 DIN
Wiring System	2, 3 or 4 wire, Simplex or Duplex
Head Types	A - KNE Aluminium Alloy, IP68 B - Plastic, IP67 C - Cast, IP67 D - 316 stainless steel, IP68 E - Nylon, IP67 F—ABS, IP67 (Other heads available upon request)
Head Options	BB - Ceramic Terminal Block TS - In Head Status Transmitter (Other options available) NN - Tails for own transmitter

Premier Control Technologies Ltd

Suite 1, Trident Business Village, Kilverstone Estate, Thetford, Norfolk, IP24 2RL

Tel: 01842 753456

Fax: 01842 752424

Email: sales@pctflow.com

Web: www.pctflow.com