

Electronic Pressure Transducers (Ex)

Type UPA2-Ex

Electronic pressure transducer for applications in explosion-proof areas, with internal or flush stainless steel diaphragm, linearity error 0.5% and 1% f. s.

Features

Intrinsically safe EEx ibIIC T5/T6
High long-term stability
High shock and vibration stability
Flush diagram version available

Measuring ranges

0...1 bar to 0...600 bar gauge

Applications

Process and chemical technology
Machine and apparatus engineering

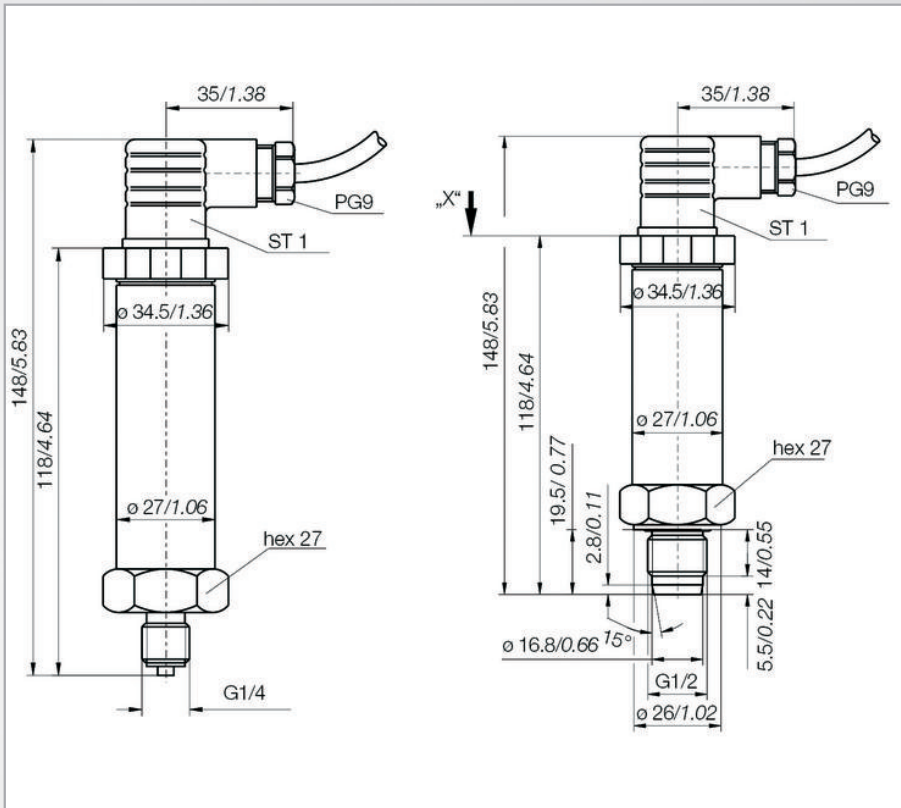


Technical Data

Sensor element:	Polysilicone measuring cell				
Materials:					
Wetted parts:	Stainless steel, mat. no. 1.4571				
Electronics housing:	Stainless steel, mat. no. 1.4301				
Seals:	FKM, EPDM, sealing cone				
System of protection:	IP65				
Protection class:	---				
Process connection:	G1/4 M, G1/2 M manometer connection or flush diaphragm with sealing cone 1/4" NPT M, 1/2" NPT M				
Dimensions:	ø27 x approx. 115 mm (without plug connector)				
Weight:	approx. 250 g				
Measuring ranges [bar]:	1	2	5	10	50
Proof pressure [bar]:	6	6	14	20	120
Measuring ranges [bar]:	100	200	400	600	
Proof pressure [bar]:	200	500	640	900	
Linearity error:	≤±0.5 % v. f. s.				

Electrical connection:	PG7 incl. 1.5 m cable; plug 3-pin, DIN EN 175 301-803-A (prev. DIN 43650)
Temperature influence:	≤±0.3 % f. s. / 10K
Compensation range:	0 °C... +50 °C
Repeatability:	≤±0.1 % v. f. s.
Temperature range:	
Medium:	-20 °C... +50 °C at 0.9 W (T6 EExib)
Electronics:	-20 °C... +60 °C at 0.6 W (T6 EExib)
Storage:	-40 °C...+100 °C
Output signal:	4... 20 mA (2-wire)
Power supply:	12... 26 V DC unregulated max. 10 % residual ripple reversed polarity protected acc. to ATEX
Power consumption:	approx. 25 mA at current output
Load:	≤(U _b -11.2 V) / 20 mA
Delay:	≤5 ms

Dimensions (mm / inch)



Electrical Connection

Connection	Current output 4... 20 mA (2-wire)	
	Plug	Cable
+ Supply	1	brown
- Supply	2	white
+ Signal	---	---
- Signal	---	---

Order Numbers

Standard pressure transducer DIN 43650, 4...20 mA, G1/4 AG		
Measuring ranges [bar] rel. pressure	Overpressure [bar]	Order No.
10	20	0431-124
50	120	0431-173
100	200	0431-460
200	500	0431-313
400	640	0431-122
600	900	0431-198

others measuring ranges on request