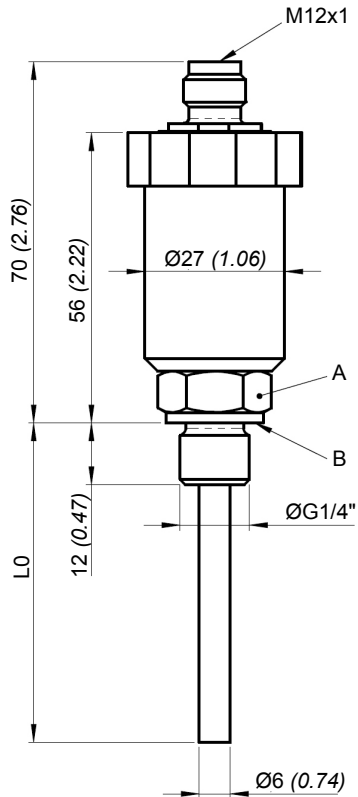


Dimensions in mm (inch) – Electronic temperature sensor UTF 2



Operating Instructions

**Electronic Pressure and Temperature Transducers
UPA 2, UTA 2 and UTF 2**



1	Intended Applications	2
2	Safety Instructions	2
3	Standards	3
4	Warranty/Guaranty	3
5	Installation/Commissioning	3
6	Maintenance/Cleaning	5
7	Technical Data	5

Barksdale GmbH
Dorn-Assenheimer Straße 27
D-61203 Reichelsheim

Phone: +49 (6035) 949-0
Fax: +49 (6035) 949-111 and 949-113
eMail: info@barksdale.de
Internet: www.barksdale.de

Art. no. 923-1910
Index: B, 17.10.2013



Specifications are subject to changes
without notice!

1 Intended Applications

The electronic pressure transducer UPA 2 serves for measuring a system pressure. The electronic temperature transducer UTA 2 serves for measuring a system temperature. The pressure and temperature sensors are equipped with analog outputs.
The temperature sensor UTF 2 provides the temperature value as PT100 signal.

DANGER

The electronic measuring devices must not be used for any other applications than those specified in the instructions.
The temperatures must be within the specified ranges, the pressure values and the electrical rating must not exceed the values specified.
Observe also the applicable national safety instructions for assembly, commissioning and operation of the electronic measuring devices.
The electronic measuring devices are not designed to be used as the only safety relevant elements according to PED 97/23/EC.

2 Safety Instructions

The safety instructions are intended to protect the user from dangerous situations and/or material damage.

In the operating instructions the seriousness of the potential risk is designated by the following signal words:

DANGER

Refers to imminent danger to men.
Nonobservance may result in fatal injuries.

WARNING

Refers to a recognizable danger.
Nonobservance may result in fatal injuries, and destroy the electronic measuring device or plant parts.

CAUTION

Refers to a danger.
Nonobservance may result in light injuries and material damage to the electronic measuring device and/or to the plant.

IMPORTANT

Refers to important information essential to the user.



Disposal

The electronic measuring device must be disposed of correctly in accordance with the local regulations for electric/electronic equipment.
The electronic measuring devices must not be disposed of with the household garbage!

3 Standards

The standards applied during development, manufacture and configuration are listed in the CE conformity and manufacturer's declaration.

4 Warranty/Guaranty

Warranty

Our scope of delivery and services is governed by the legal warranties and warranty periods.

Terms of guaranty

For the electronic pressure transducer UPA 2, the electronic temperature transducer UTA 2 and the temperature sensor UTF 2 we grant a guarantee according to the legal regulations for functioning and material in normal operating and maintenance conditions.

Loss of guaranty

The agreed guaranty period will expire in case of:

- incorrect use,
- incorrect installation or
- incorrect handling or operation contrary to the provisions of these operating instructions.

No liability is assumed for any damage resulting therefrom, or any consequential damage.

5 Installation/Commissioning

DANGER

Only install or remove the electronic measuring device when deenergized (electrically and hydraulically/pneumatically).

Pressure connection and electrical connection must be carried out by trained or instructed personnel according to state-of-the-art standards.

The electronic measuring devices may only be installed in systems in which the maximum pressure P_{max} or the maximum temperature T_{max} is not exceeded (see type label).

CAUTION

Do not insert any objects into the pressure channel of the electronic pressure transducer!
The membrane on front-flush models must never be deformed!

Connecting the electronic measuring devices

CAUTION

The permissible overpressure must not be exceeded, not even in case of pressure peaks!
Install protection elements (e. g. damping screw)

The electronic measuring devices must be mounted at the bottom fitting with a size 19 wrench (G ¼) or size 32 (G ½) and tightened to a torque of 45 Nm. The installation position is arbitrary.

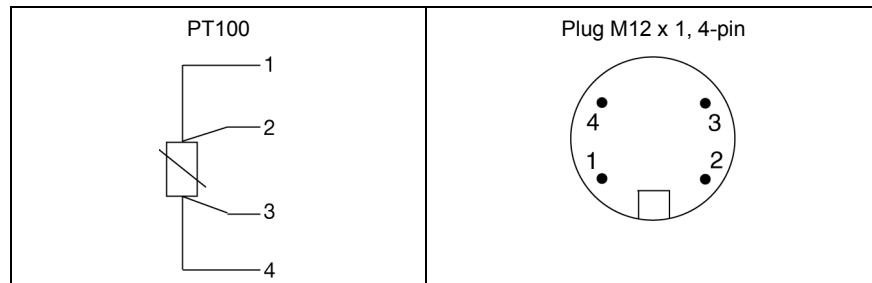
CAUTION

Avoid electrostatic discharges!
Ground the housing

Electrical connection of the individual models (see type label) must be carried out according to the chart below. The maximum power supply values are stated on the type label.

UPA 2 UTA 2	Current output 4... 20 mA (two-wire system)				Voltage output 0... 10 V DC (three-wire system)				
	Connection	Plug	Cable	GL cable	M12	Plug	Cable	GL cable	M12
Supply (+)	1	brown	white 1	1	1	brown	blue 1	1	1
Supply (-)	2	white	blue 1	2	2	blue	blue 2	3	
Signal (+)	---				3	white	white 1	2	
Signal (-)	---				---				

Connection chart for temperature sensor UTF 2



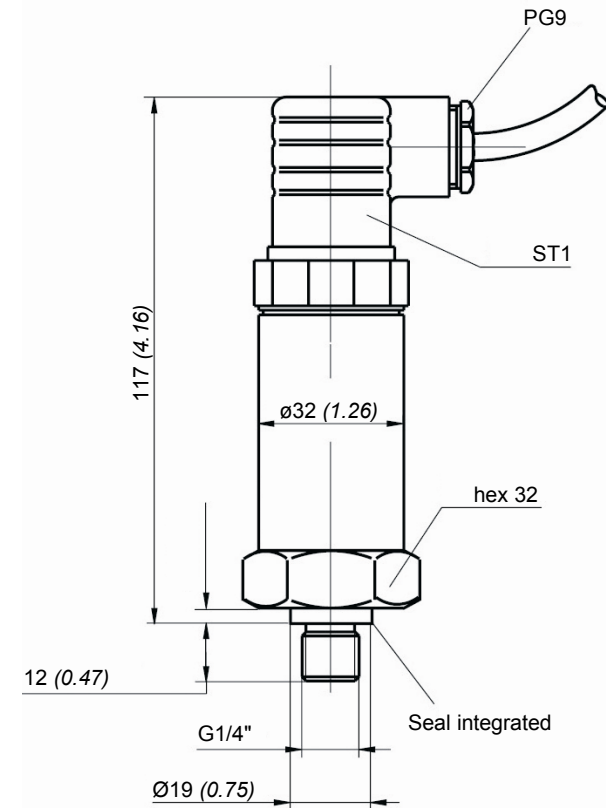
6 Maintenance/Cleaning

The electronic measuring devices are calibrated in the factory and require not maintenance.
If faults occur which cannot be remedied please contact our local representative closest to you.

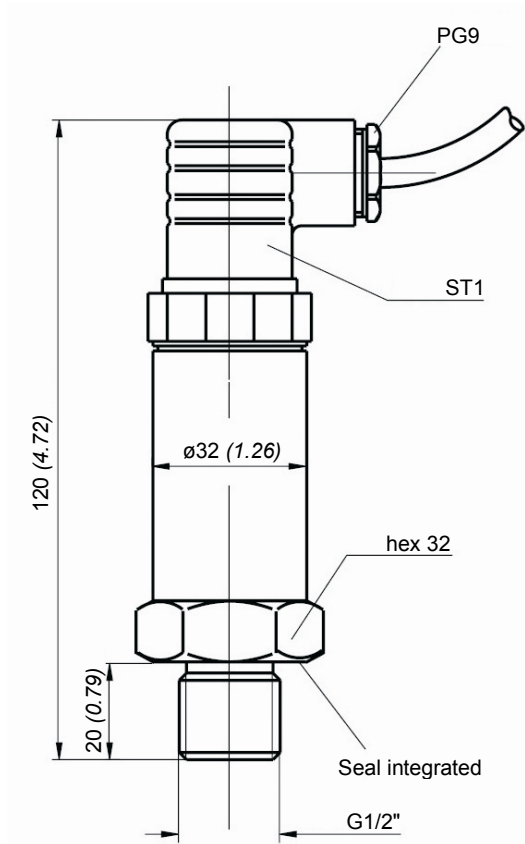
7 Technical Data

IMPORTANT
see type label

Dimensions in mm (inch) – Electronic pressure transducer UPA 2 (G1/4")



Dimensions in mm (inch) – Electronic pressure transducer UPA 2 (G1/2")



Dimensions in mm (inch) – Electronic temperature transducer UTA 2

