

Technical Data for Alicat **BIOC-Series** Mass Flow Controllers

50 slpm of Full Scale through 500 slpm of Full Scale



Tel: 888-290-6060

www.alicat.com/bioc

Standard Specifications (Contact Alicat for available options.)

SENSOR PERFORMANCE	
Mass Flow Accuracy at calibration conditions ¹	± (0.8% of Reading + 0.2% of Full Scale)
Repeatability (2σ)	± (0.2% of Reading + 0.02% of Full Scale)
Steady State Control Range ²	0.01% - 100% of Full Scale
Temperature Sensitivity	Mass Flow Zero and Span Shift: 0.02% Full Scale / °C
Pressure Sensitivity	Mass Flow Zero and Span Shift: ± (0.08% of Reading + 0.02% Full Scale) / atm
Operating Temperature Range	-10 to 60°C (consult Alicat for expanded range)
Temperature Accuracy	± 0.75°C
Operating Pressure Full Scale	160 PSIA (consult Alicat for additional options)
Pressure Accuracy	Above 1 atm: ± 0.5% of Reading Below 1 atm: ± 0.07 PSIA
Typical Sensor Response Time	65 - 255 ms (Adjustable)
Typical Warm-Up Time	< 1 s

1 Stated accuracy is after tare under equilibrium conditions. Extreme gas behavior (especially near state boundaries) can introduce additional flow uncertainties. Consult Alicat if higher accuracy is required.

2 Achievable steady state control may be limited by user-configurable PID tuning and process conditions. Dynamic control performance is also limited by control response time, which may vary with the flow rate.

MECHANICAL	
Minimum Operating Pressure	11.5 PSIA common mode pressure (consult Alicat for lower operating pressures) Differential pressure must exceed model pressure drop, see below for details
Maximum Operating Pressure	Damage possible above 175 PSIA common mode pressure Damage possible above 75 PSID differential pressure
Ingress Protection	IP40 (IP66 Option Available)
Humidity Range	0 to 95% non-condensing
Dimensions, pressure drop, weight, and process connection specifications are listed on mechanical drawing pages	

CONTROL AND COMMUNICATIONS	
Analog I/O	0-5 VDC (Serial and Modbus RTU only)
Digital I/O Options	DeviceNet, EtherCAT, EtherNet/IP, Modbus RTU over RS-232, Modbus RTU over RS-485, Modbus TCP/IP, Profibus, RS-232 Serial, RS-485 Serial
Electrical Connection	8 pin M12 or Protocol Dependent
Power Requirements ³	24 VDC, 1,000 mA max
Data Update Rate ³	Serial: 40 Hz at 19200 baud Analog: 1000 Hz
Display Update Rate	10 Hz
Analog Signal Accuracy	± 0.1% of Full Scale additional uncertainty
Typical Control Response Time	150 ms to 63% of step change (T63)
Valve Function	Normally Closed

3 Consult the individual operating bulletins for specific industrial protocol power requirements and data transmission specifications.

FEATURES	
STP Reference Conditions	25°C and 1 atm (Default), user configurable
NTP Reference Conditions	0°C and 1 atm (Default), user configurable
Color TFT Display with integrated touchpad	Simultaneously displays Mass Flow, Volumetric Flow, Pressure and Temperature
Gas Select™	98 user selectable gases stored internally. Each gas optimized to match NIST's REFPROP 10 gas property calculations across the operating temperature and pressure ranges for highest accuracy.
COMPOSER™	Allows 20 user definable gas mixes. Up to 5 constituent gases per mix, down to percentages of 0.01%

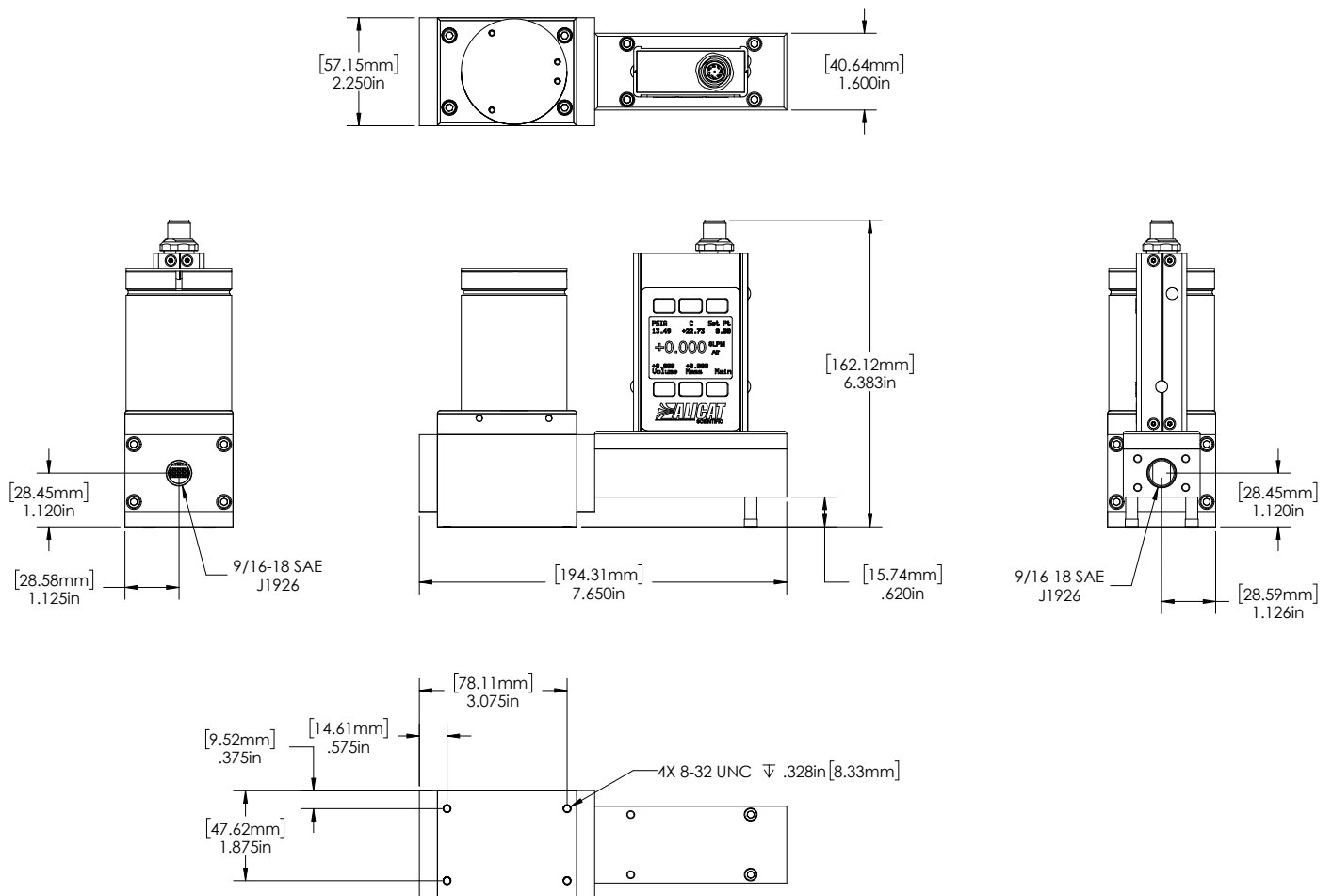
Wetted Materials

FLOW BODY WETTED MATERIALS	OPTION	VALVE WETTED MATERIALS
316L Stainless Steel, USP VI FDA Certified Viton Elastomers	A	FFKM, 316L Stainless Steel, Elgiloy Super Alloy, Sandvik Super Alloy
Each controller has 3 parts: Flow body · Sensor · Valve	B	302/303/430FR Stainless Steel, Brass, Viton
ASME BPE-2016 Compliance Requires both Valve A and Sensor A	C	302/303/304/410 Stainless Steel, Viton, Delrin
	OPTION	SENSOR WETTED MATERIALS
	A	316L Stainless Steel
	B	Polyamide, Alumina, Ceramic, Glass, Gold, Silicon, Nylon, Delrin, Heat Cured Epoxy, RTV, Silicone

BIOC-Series

0 – 50 slpm

0 – 100 slpm



Flow Range Specific Specifications

FULL SCALE FLOW MASS CONTROLLER	PRESSURE DROPS ⁵ AT FS FLOW (PSID) VENTING TO ATMOSPHERE	APPROXIMATE WEIGHT	MECHANICAL DIMENSIONS ⁶	PROCESS CONNECTIONS ⁷
50 slpm	2.0	9.0 lb	6.4"H x 7.7"W x 2.3"D	3/16-18 SAE6 Female
100 slpm	3.2			

5 Lower Pressure Drops Available, please see our WHISPER-Series mass flow controllers at www.alicat.com/whisper.

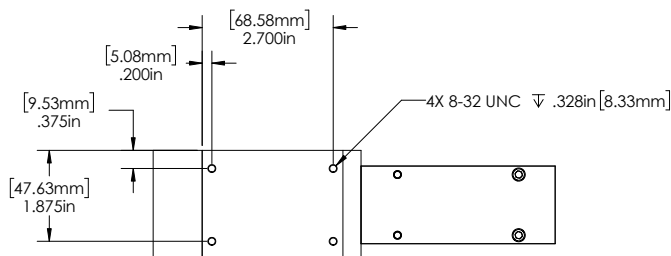
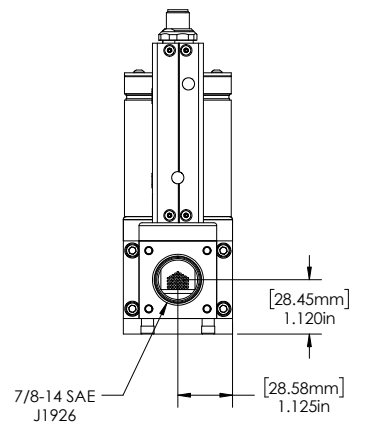
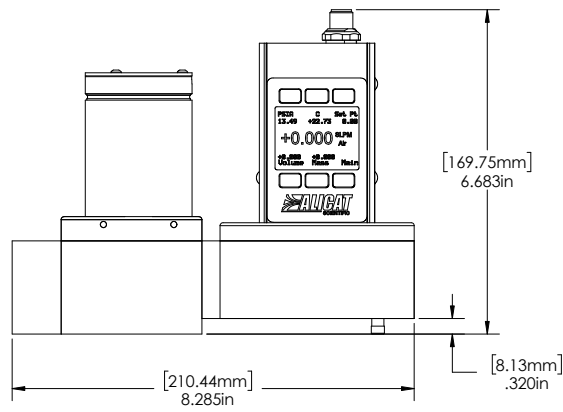
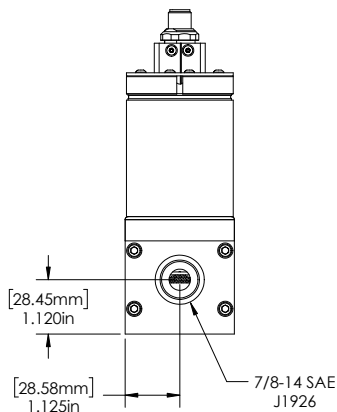
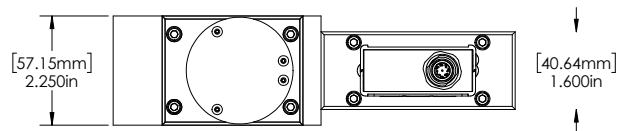
6 See drawings for metric equivalents.

7 Additional process connections available on request. Consult Alicat for more information.

BIOC-Series

0 – 200 slpm

0 – 500 slpm



Flow Range Specific Specifications

FULL SCALE FLOW MASS CONTROLLER	PRESSURE DROPS AT FS FLOW (PSID) VENTING TO ATMOSPHERE	APPROXIMATE WEIGHT	MECHANICAL DIMENSIONS ⁶	PROCESS CONNECTIONS ⁷
250 slpm	2.4	9.0 lb	6.7"H x 8.3"W x 2.3"D	7/8-14 SAE10 Female
500 slpm	6.5			

5 Lower Pressure Drops Available, please see our WHISPER-Series mass flow controllers at www.alicat.com/whisper.

6 See drawings for metric equivalents.

7 Additional process connections available on request. Consult Alicat for more information.

