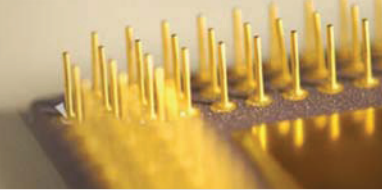




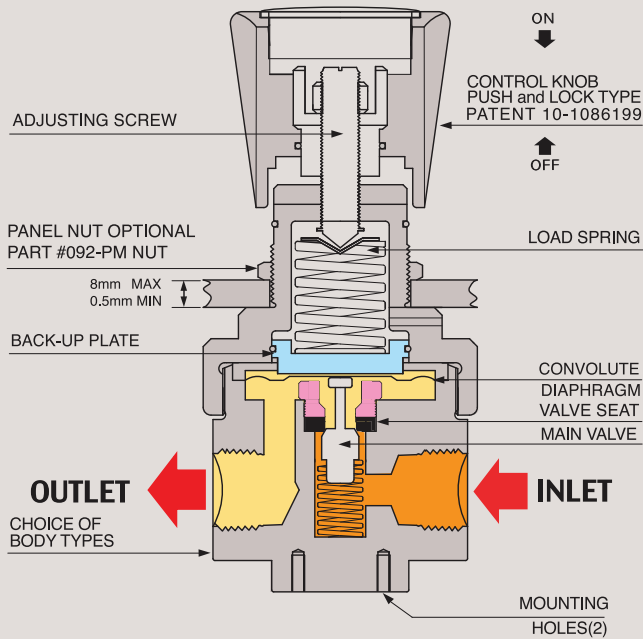
092 SERIES

High Flow Low Pressure Reducing Regulators

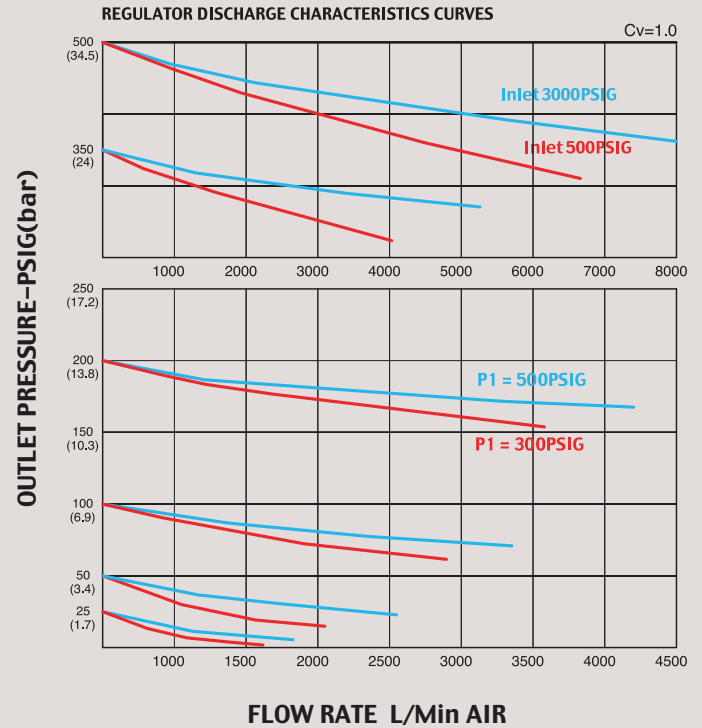




FUNCTIONAL SCHEMATIC



FLOW CHART



Single Stage High-flow Low Pressure NPT type (1/2")

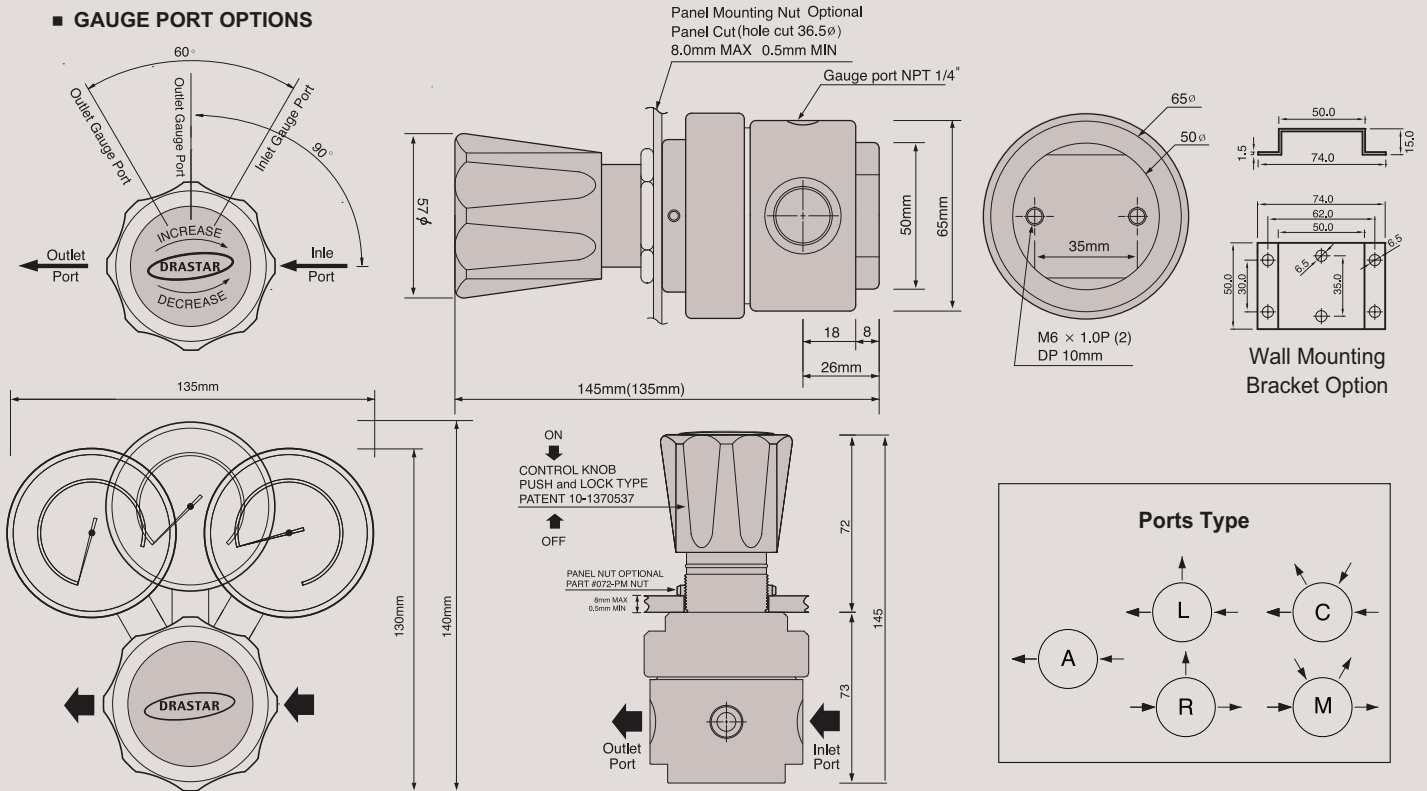
Specifications

| | |
|------------------------|--|
| In/Outlet Port Size | 1/2" FNPT / Gauge port: 1/4" NPT |
| Body | Stainless Steel 316L |
| Bonnet | Nickel Plated Forged Brass (Standard) / Stainless Steel (Option) |
| Diaphragm | Stainless Steel 316L |
| Main Valve | Stainless Steel 316L |
| Valve Spring | Stainless Steel 316L |
| Valve Seat | Teflon (Kel-F, Polyimide, etc.: optional) |
| Maximum Inlet Pressure | 092-0000-1S : 3,000psig (210bar) 092-0000-1S-5 : 600psig (42bar) |
| Outlet Pressure Range | 25(1.7bar), 50(3.5bar), 100(7bar), 200(14bar), 350(24bar), 500psig(34bar) |
| Design Proof Pressure | 150% of maximum rated |
| Leakage | to 2x10 ⁻⁸ atmcc/secHeliumavailable |
| Operating Temperature | -40°C to +70°C(-40°F to +160°F) (Standard) H1 option: up to +120°C (Optional) H2 option: up to +250°C (Optional) |
| Flow Capacity | Cv = 1.0 |
| Weight | Approx. 1.6kgs |

INSTALLATION DIMENSIONS

METRIC EQUIVALENTS ARE IN PARENTHESES

GAUGE PORT OPTIONS



092 Series is a 1/2" NPT type single-stage pressure reducing regulator specially designed to use for high-flow low-pressure applications. Made of stainless steel for body and all internal parts, 092 series has wide range of applications.

With DRASTAR's patented (patent #10-1086199) "push and lock type handle", you can operate it easily and stably: "locking" by pushing down the handle will prevent any slight change of pre-set pressure value, which could possibly be caused by any vibration from gas pipeline or ambient applications and the other way "unlocking" by pulling it back enables you to adjust the pressure value freely again.

Features & Applications

- 1/2" NPT type high flow low pressure regulator
 - Inlet pressures are 3000psig(210bar) or 600psi(42bar) and outlet pressures are 25psig(1.7 bar) ~ 500psig(35bar)
 - Panel mounting nut or wall mounting bracket available as option • Design proof pressure: 150% of maximum rated
 - Applicable for general gas line, bulk gas line, research labs, specialty gases for analytical application, high purity gases, mixing gases, and corrosive gases as well as liquids.
- ※ DRASTAR's all pressure regulators are assembled, cleaned, inspected, and packed in clean-room equipped with clean bench, helium detector, particle counter, ultrasonic cleaner, ultrapure water system, vacuum packaging machine, etc. through oxygen cleaning procedure in compliance with process and regulations indicated in CGA 4.1. and or ASTM G-93 and are free of any grease or oils.
- ※ **Caution:** Filtering (gas 7 μm~15 μm, water 15 μm~80 μm) is a MUST to use in the general gas application other than high purity gases. Otherwise, it may cause a failure to the regulators. It is strongly recommended to install filter for extension of life span and saving the maintenance expense

ORDERING INFORMATION

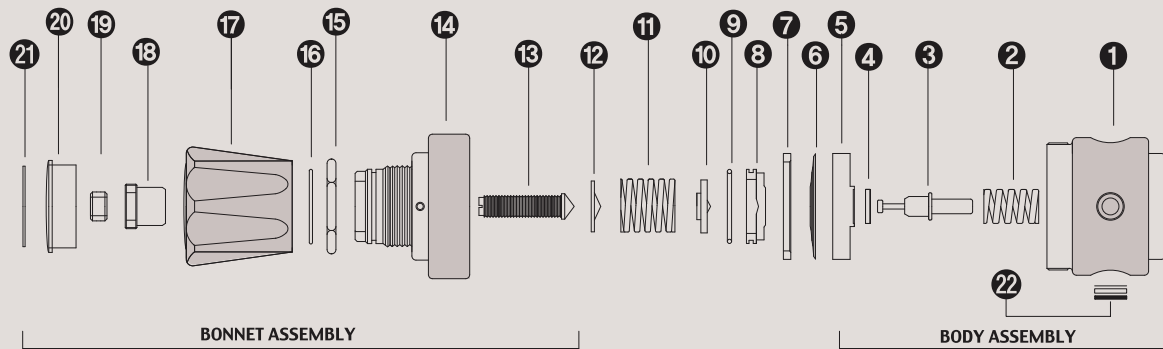
(W)092 - 0025 L - 1S H - 5 - V - H1

| BASIS SERIES NUMBER | OUTLET PRESSURE RANGE | PORT TYPE | FLOW CAPACITY | DIAPHRAGM MATERIAL | INLET PRESSURE | SELF VENTING | HIGH TEMPERATURE |
|--|---|---|-------------------------------------|--------------------------------------|-------------------------|------------------|---|
| Standard Inlet Pressure 3000psig (210 bar) | 0025 = 25psi(1.7bar) 0050 = 50psi(3.5bar) 0100 = 100psi(7bar) 0200 = 200psi(14bar) 0350 = 350psi(24bar) ※ 0500 = 500psi(34bar) | A = 2-Ports L = 3-Ports C = 4-Ports | 1 = 1/2" NPT S = Cv 1.0 Standard | STS 316L Standard H = Hastelloy-C | 5 = Inlet 600psi(42bar) | V = Self-Venting | H1 = +120°C H2 = +250°C H3 = +320°C |
| Body : STS 316L Only | | R = 3-Ports M = 4-Ports | | Optional | Optional | Optional | Optional |

※ Note : 1) (W) model is only for liquid and water. 2) ※ 500psi model must be used for W model only. 3) H1, H2, H3 option is not available for brass products.



092 SERIES PART LIST



STANDARD MODEL SERIES

| Item No. | Description | Part No. | Model Application |
|----------|------------------------|-----------|---|
| 01 | Body | 092-02-01 | 02-01 Stainless steel 316L |
| 02 | Valve spring | 092-04-01 | All Model Same |
| 03 | Main Valve | 092-06-01 | All Model Same |
| 04 | Valve Seat | 092-10-01 | All Model Same |
| 05 | Locking Plate | 092-14-01 | All Model Same |
| 06 | Diaphragm | 092-16-01 | 16-01 STS 316L / 16-02 Hastelloy C-22 |
| 07 | Diaphragm Plate | 092-22-01 | All Model Same |
| 08 | Back-up Plate | 092-26-01 | All Model Same |
| 09 | Back-up Plate O-ring | 092-26-00 | All Model Same |
| 10 | Spring Plate | 092-30-01 | All Model Same |
| 11 | Load Spring | 092-38-01 | 38-01 25psi/38-02 50psi/38-03 100psi/38-04 200psi/38-06 350psi/38-07 500psi |
| 12 | Pivot | 092-40-01 | All Model Same |
| 13 | Adjusting Screw | 092-42-01 | All Model Same |
| 14 | Bonnet | 092-44-02 | 44-01 STS 316L / 44-02 Brass |
| 15 | Panel mount Nut | 092-48-01 | All Model Same |
| 16 | Push & Lock O-Ring | 092-46-01 | All Model Same |
| 17 | Control Knob | 092-50-01 | 50-01 ABS / 50-04 Aluminum Control knob |
| 18 | Push & Lock Handle nut | 092-52-01 | All Model Same |
| 19 | Locking Nut | 092-54-01 | All Model Same |
| 20 | Name Cap | 092-56-01 | All Model Same |
| 21 | Name Cap Plate | 092-58-01 | 58-01 25psi/58-02 50psi/58-03 100psi/58-04 200psi/58-06 350psi/58-07 500psi |
| 22 | Filter Assembly | 092-60-03 | All Model Same |

