

DR70 SERIES

High Flow High Pressure Reducing Regulators



DR70

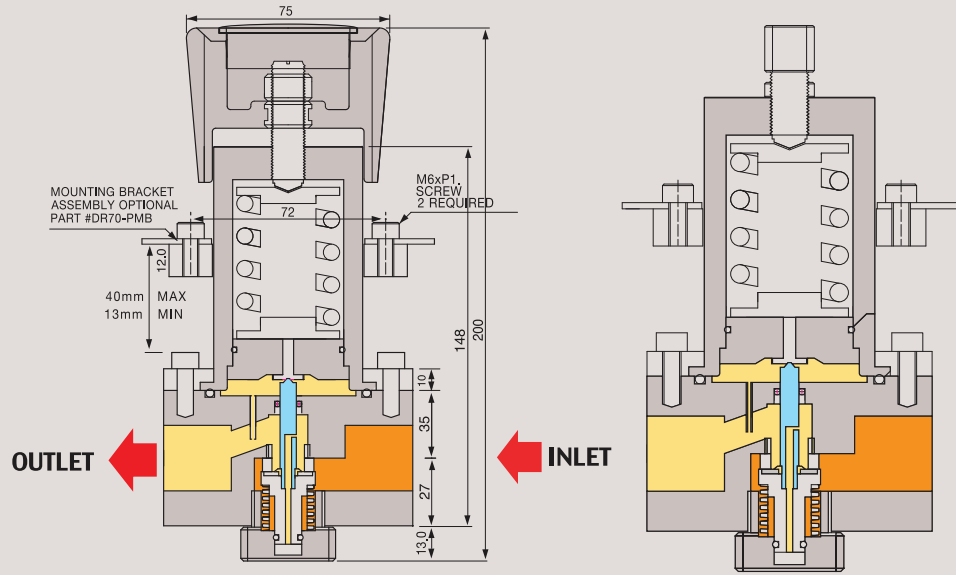
SERIES

This catalogue is revised and/or updated as of Jan. 2020 and supersedes any old ones.

FUNCTIONAL SCHEMATIC



■ BOLT CONTROL TYPE (DR701 SERIES)



High Flow and High Pressure NPT or BSP type (1/2", 3/4", 1")

DR70 Series is a NPT or BSP type single-stage high flow pressure reducing regulator suitable for pipeline application where high flow of water, chemical, liquid and gases are being used. Drop-preventing function of DR70 series enables stable and precise regulation of outlet pressure even facing with wide pressure variation at P1.

Features & Applications

- 1/2", 3/4", 1" NPT or BSP type available
- Drop-preventing function is built in
- Suitable for the industrial control
- Inlet pressures are 420bar(6000psi) or 100bar(1450psi) and outlet pressures are 10bar(145psig) ~ 350bar(5000psig)
- Panel mounting and wall mounting bracket available as option
- Design proof pressure: 150% of maximum rated

Specifications

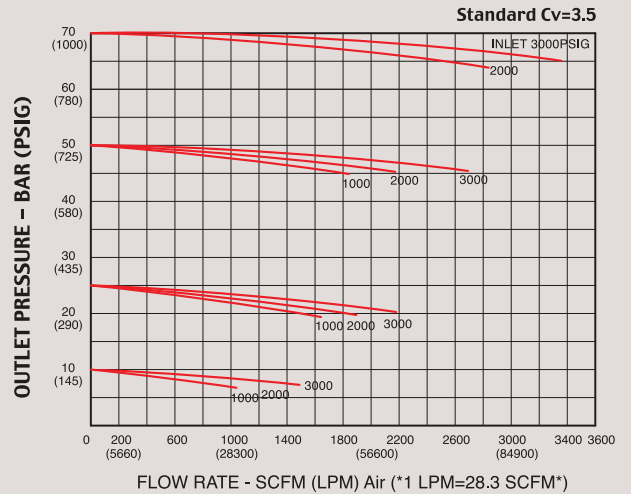
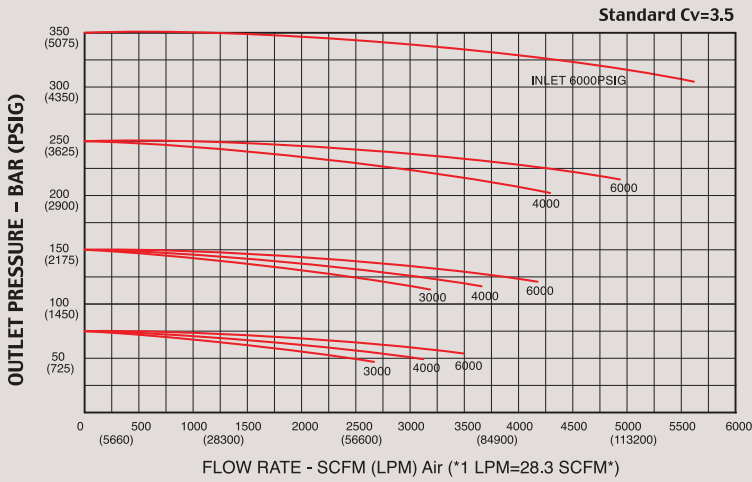
In/Outlet Port Size	1/2", 3/4", 1" NPT or BSP / Gauge port: 1/4" NPT
Body	Stainless Steel 316L / Nickel Plated Brass
Bonnet	Nickel Plated Brass / Stainless Steel (Optional)
Diaphragm	Stainless Steel 316L
Main Valve	Stainless Steel 316L
Valve Spring	Stainless Steel 316L
Valve Seat	Teflon / Vespel
Maximum Inlet Pressure	S = 3,000psig / B= 1,500psig / SH = 6,000psig
Outlet Pressure Range	10bar(145psig), 25bar (362psig), 50bar(725psig), 70bar(1000psig) 150bar (2,100psig), 250bar (3,600psig), 350bar(5,000psig)
Design Proof Pressure	150% of maximum rated
Leakage	to 2x10 ⁻⁶ atmcc/secHeliumavailable
Operating Temperature	-40°C to +70°C(-40°F to +160°F) / Teflon
Flow Capacity	Cv = 3.5
Other Options	CGA, Pressure Gauges, etc.
Weight	Approx. 5.3kgs



REFERENCE

Contents in the catalogue including specifications, performance data, etc. can be changed without prior notice in the course of continuous upgrading and improvement of the products.

FLOW CHART



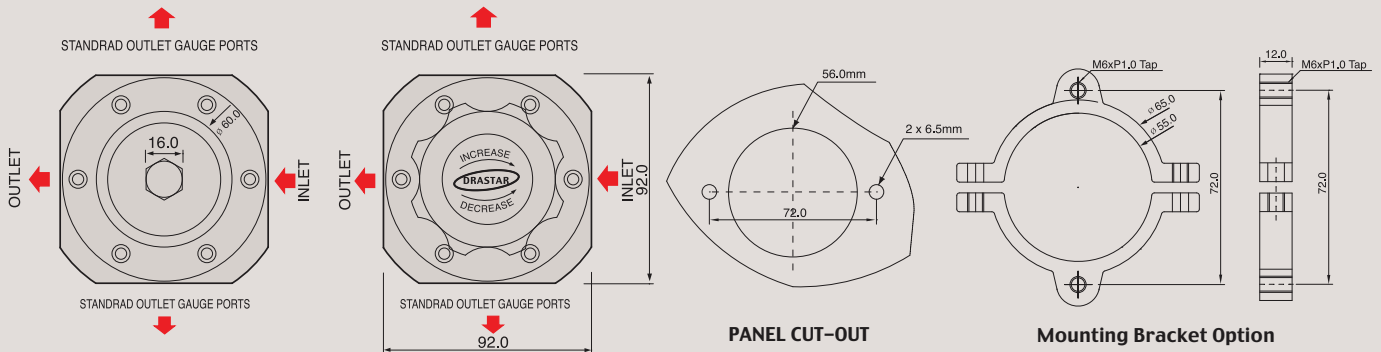
FLOW RATE L/Min AIR

INSTALLATION DIMENSIONS

■ BOLT CONTROL TYPE

■ KNOB CONTROL TYPE

■ MOUNTING BRACKET



※ DRASTAR' s all pressure regulators are assembled, cleaned, inspected, and packed in clean-room equipped with clean bench, helium detector, particle counter, ultrasonic cleaner, ultrapure water system, vacuum packaging machine, etc. through oxygen cleaning procedure in compliance with process and regulations indicated in CGA 4.1. and or ASTM G-93 and are free of any grease or oils.

※ **Caution:** Filtering (gas 7 μm~15 μm, water 15 μm~80 μm) is a MUST to use in the general gas application other than high purity gases. Otherwise, it may cause a failure to the regulators. It is strongly recommended to install filter for extension of life span and saving the maintenance expense.

ORDERING INFORMATION

DR70 2 - S P - 010 - NP 3 - V - H1

BASIS SERIES NUMBER	CONTROL TYPE	BODY MATERIAL INLET PRESSURE	VALVE SEAT	CONTROLLED PRESSURE RANGE	INLET OUTLET PORTS TYPE	INLET OUTLET PORTS SIZE	SELF VENTING	HIGH TEMPERATURE
DR70	1=BOLT TYPE 2=KNOB TYPE	S = STS 316L 3000psi B = Brass 1500psi SH = STS 316L 6000psi ONLY STS 316L	P = Teflon V = Vespel SH model Vespel Standard	010 = 10bar 025 = 25bar 050 = 50bar 070 = 70bar 150 = 150bar * 250 = 250bar * 350 = 350bar *	NP = NPT BS = BSP	1 = 1/2" 2 = 3/4" 3 = 1"	V = Self-Venting Optional	H1 = +120° C H2 = +250° C H3 = +320° C Optional

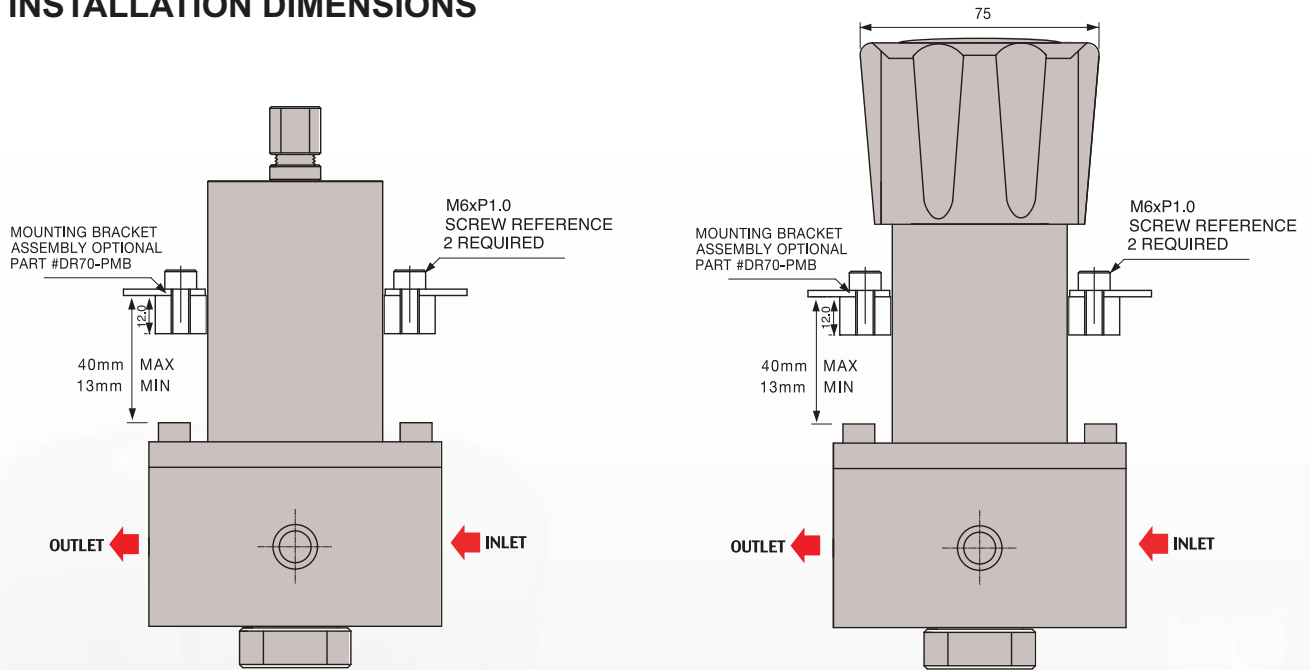
* 150/250/350bar available only for SH model and self-venting is not possible.

*

DR70

SERIES

INSTALLATION DIMENSIONS



■ BOLT CONTROL TYPE

■ KNOB CONTROL TYPE

■ MOUNTING BRACKET

