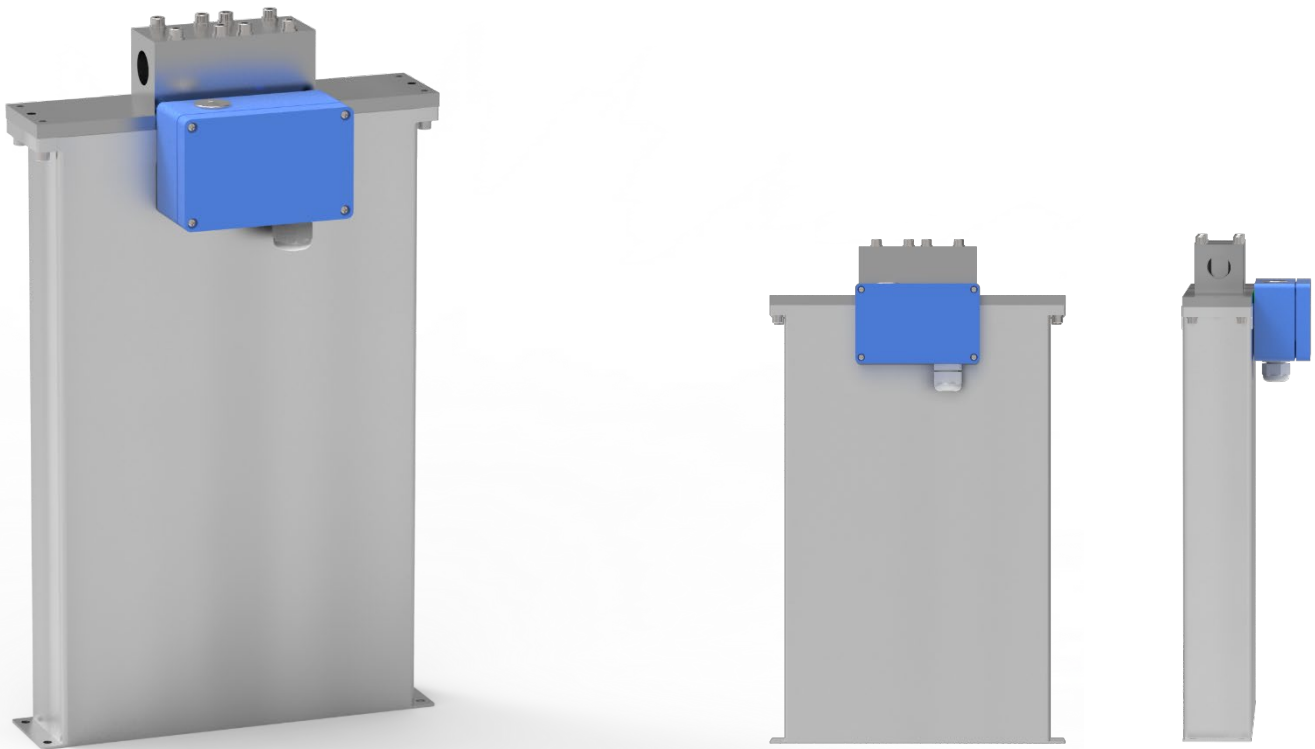


RHM 20

Industrial Coriolis Mass Flow Meter

General Flow Control / Plant Balance / Additive Dosing / Mixing and Batching / Package and Container Filling





Features

- Typical measuring range up to 300 kg/min (661.39 lb/min)
- Pressure ratings up to 586 bar (8499 psi)
- Temperature ratings from -196 to +350 °C (-320 to +662 °F) – extended on request
- Mass flow uncertainty down to 0.05%
- Repeatability down to 0.05 %
- 4 kHz measurement updates and response time of less than 10 ms when used with RHE 40 Series transmitters
- Accurately measure flow rates down to 3 kg/min
- The Rheonik **AnyPipeFit Commitment** provides custom process connection type and size flexibility on any meter to suit your existing plant, saving time and expense on installation costs
- Compact design with minimal pipeline footprint
- Approved for use in hazardous areas
- SS 304 Stainless steel enclosure, SS 316 optional
- Integral and remote transmitter versions available

General Specification Overview

Nominal Flow (Q_{nom})*	300 kg/min (661.4 lb/min)
Maximum Flow (Q_{max})*	300 kg/min (661.4 lb/min)
Typical Minimum Flow (Q_{min})*	3 kg/min (6.6 lb/min)
Serial Tube / Single Path	Flow rates Q_{max} , Q_{nom} and Q_{min} for "serial" sensors will be 50% of the above listed parallel/dual path version.
Operating Temperature	Fluid temperature range options cover applications from -196°C to 350°C (-320°F to 662°F).
Ambient Temperature	-50 °C to +80 °C (-60 °F to +180 °F) (standard), versions available for installation in vacuum chamber (-260 °C / -430 °F) or oven (up to +210 °C / +410 °F) (optional)
Pressure Ratings	Up to 1379 bar / 20000 psi - dependent upon material
Electrical Connection Sensor w/o Integral Transmitter	M20 x 1.5 standard cable entry for JM, SM terminal box versions Optional entries available: ½" NPT or M25 x 1.5 (only for SM) or ¾" NPT (only for SM) M16 x 1.5 standard cable entry for PM terminal box version Max. cable length to remote RHE transmitter 100 m/330 ft
Sensor Enclosure Materials	Stainless steel 304 (standard), SS 316 (optional) Coated aluminum terminal box, SS 316 terminal box (optional)
Enclosure Type	Protection class IP66, NEMA 4X (standard), IP66/67, NEMA 4X/6 (optional)
Wetted Materials	Flow tubes SS 316Ti, Alloy C22, Tantalum or SuperDuplex Manifolds SS 316L; Seal material (manifold construction): PTFE Standard flanges SS 316Ti, other connections SS 316L Additional/customer specific materials available upon request
Process Connections	Nearly any – the Rheonik AnyPipeFit Commitment . Consult factory for types/sizes not listed in this data sheet on the Mechanical Construction pages
Pressure Rating Compliance	Europe – PED: Sound Engineering Practice (SEP), Module A2, Module B3.1+C2 Canada – CRN: Canadian Registration Number
Certifications and Approvals	ATEX / IECEx Approvals for Zone 0, 1 (details see page 17) North American Approvals Class I, Div. 1, 2, Gr. A,B,C,D, Zone 0, 1 American Bureau of Shipping (ABS) Product Type Approval for use on marine vessels
Testing and Inspection	All sensors are hydro tested, calibrated and supplied with a traceable calibration certificate. Customized calibration and testing services are available
Project Documentation and QA, Services	Rheonik offers a full set of services for large and complex engineering projects. Typical services offered are, but not limited to: <ul style="list-style-type: none"> • Certificates of origin and conformity, mill certificates • Data books including WPAR, WQS, NDT, test & quality plans, functional testing, calibration procedures, customized packing, factory acceptance etc. • Painting to project specification • Start up and commissioning services on/offshore
Options	Enclosure heating for high temperature applications Cleaning for oxygen service , ... For more consult factory

* At Q_{nom} pressure drop across a parallel tube sensor will be approximately 1 bar (14 psi) for H₂O. Sensors can be operated at higher flow rates up to Q_{max} but pressure drop will be higher. Typical Minimum Flow Q_{min} is the recommended lowest flow rate for an accurate measurement. Sensors will measure flow rates lower than Q_{min} but uncertainty will increase beyond 1% of rate.

The flow rate specifications above relate to standard pressure, parallel tube, manifold sensor versions. Models with higher pressure ratings have increased wall thickness and will have higher pressure drops.

Calibration Options

Standard and Premium Calibration

A	0.20 % Uncertainty <i>Requires RHE 20 Series transmitter. All others 0.5 %</i>
B	0.15 % Uncertainty <i>Requires RHE 20 Series transmitter or higher</i>

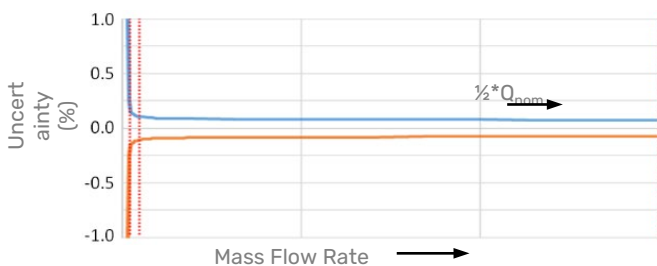
Premium Plus Calibration

G	0.10 % Uncertainty <i>Requires RHE 20 Series transmitter or higher</i>
----------	--

Low Flow and Customized Calibration

1	0.10 % Low Flow Focused Calibration* <i>Requires RHE 40 Series transmitter</i>
X	Customized Calibration** <i>Consult factory</i>

* Low flow calibration focuses on the range from $Q_{nom}/2$ downwards to lower flow rates than on other calibrations. Often used for low pressure gas or very viscous liquids
 ** Customized calibration uses specific calibration points according to customer requirements



Uncertainties and flow measurement turn-down

The turn down capability from Q_{nom} of the flow sensor is driven mainly by its zero point stability. At the very low end of the measuring range the uncertainty (u) is dominated by zero point stability. The zero point stability of a standard sensor is: 0.00246 kg/min (0.00542 lbs/min). Zero point stability of a Gold Line sensor is 0.0012 kg/min (0.00264 lbs/min).

For flow $Q \geq ZP \text{ stability} / (\text{Base Calibration uncertainty}/100) \rightarrow u = \text{calibration uncertainty}$
 For flow $Q < ZP \text{ stability} / (\text{Base Calibration uncertainty}/100) \rightarrow u = (\text{zero stability}/Q) * 100$

Uncertainties from environmental and process conditions

- If sensors are not zeroed at operating conditions, minor additional uncertainties can arise from elevated temperatures and pressures: $\pm 0.00022 \%$ of maximum flow per $^{\circ}\text{C}$ and $\pm 0.0005\%$ of maximum flow per bar.
- Process temperature effect on density: additional uncertainty of $\pm 0.000071 \text{ g/cm}^3$ per $^{\circ}\text{C}$ difference from calibration temperature with standard density calibration and of $\pm 0.000009 \text{ g/cm}^3$ per $^{\circ}\text{C}$ difference from calibration temperature with enhanced density calibration. This effect can be mitigated by a simple field density adjustment at operating conditions.
- Process pressure effect on mass flow: The effect of pressure on flow measurement is 0.0001 % of rate per bar. Compensation is possible by pressure sensor input (analog input or digital write) or manual value entry into the transmitter.
- Process pressure effect on density: The effect of pressure on density measurement is 0.000075 g/cm^3 per bar. Compensation is possible by pressure sensor input (analog input or digital write) or manual value entry into the transmitter.

Premium Plus, Low Flow and Enhanced Density Calibration come with Gold Line sensors and are not available in all materials, pressure and temperature ranges.

Reference conditions: 18–24 °C Water @ 1–3 bar; Gas (Natural gas) 35–100 bar.

Density Calibration / Performance (Liquid)

N	No Density Calibration
S	Standard $\pm 0.001 \text{ kg/liter}$ Uncertainty
D	Enhanced $\pm 0.0005 \text{ kg/liter}$ Uncertainty

Flow Measurement Repeatability

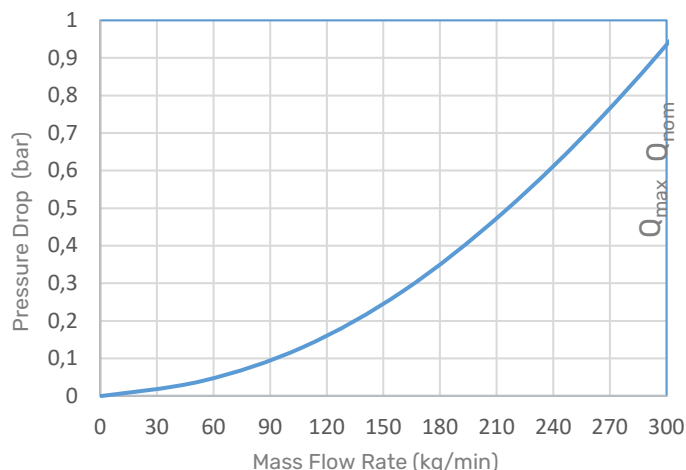
Standard Sensors $\pm 0.1 \%$ of rate
 Gold Line Sensors $\pm 0.05 \%$ of rate

Temperature Measurement

Better than $\pm 1^{\circ}\text{C}$

Pressure Drop

Every Coriolis flow sensor generates pressure drop across its inlet and outlet when in use. The amount of pressure drop generated is mainly a function of the flow velocity within its tubes and the flowing viscosity of the stream.



0 – 300 kg/min water, sensor with P1 pressure rating. Higher viscosities create higher pressure drop

Measurement Tube Materials and Pressure Ratings

The maximum pressure (p_{max}) of a sensor is determined by its lowest rated part. The lowest rated part can be either the measurement tube (p_{max} see table to the right), the connection block/manifold (p_{max} indicated in the mechanical construction section) or the process connection (for p_{max} see published standards or manufacturer information).

Material	Pressure Code	50°C / 122°F	120°C / 248°F	210°C / 410°F
SS 316Ti (standard)	P1	120 1740	110 1595	92 1334
Alloy C22	P1	193 2799	171 2480	146 2118
Tantalum	P1	44 638	39 565	36 522
Super Duplex*	P1	586 8499	514 7455	464 6730
SS316Ti	P2	250 3626	225 3263	193 2799
Alloy C22	P2	260 3771	232 3365	196 2843
SuperDuplex*	P2	799 11589	701 10167	634 9195
SS316Ti	P4	392 5685	345 5004	300 4351

* Note minimum operating temperature for SuperDuplex stainless steel is -40 °C

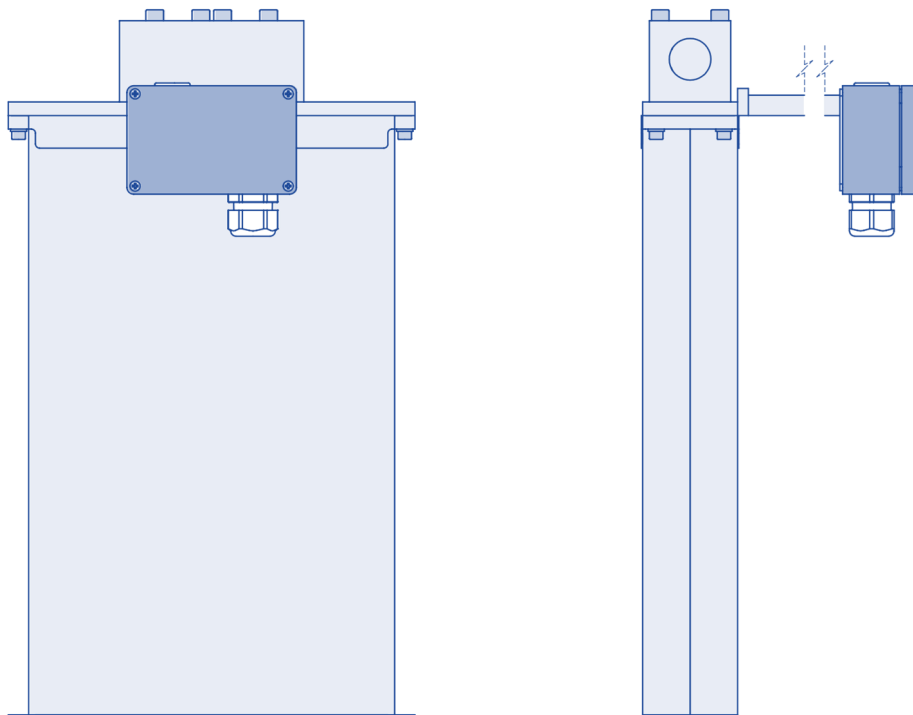
Units: bar / psi

Other Materials

Other wetted materials may be possible for chemical compatibility, lower pressure drop, abrasion allowance, other application specific requirements. Rheonik can provide nearly any material for the wetted parts.
Contact factory with specification for assessment and availability.

Mechanical Construction

Sensors are manufactured with two internal measurement tubes arranged side by side. In parallel or dual path sensors (order code Pxx), these tubes are connected in parallel and the flowing fluid is split equally between them. In serial or single path sensors (order code Sxx), the internal tubes are connected end to end, creating a single path through which all fluid flows. Manifold designs have a removable inlet/outlet manifold block and utilize selectable seals between the manifold and sensor body. In sealless designs, the measurement tubes are continuous between the process connections and do not have seals. Manifold designs offer shorter delivery lead times and may have a lower pressure drop than sealless designs for the same flow rate.

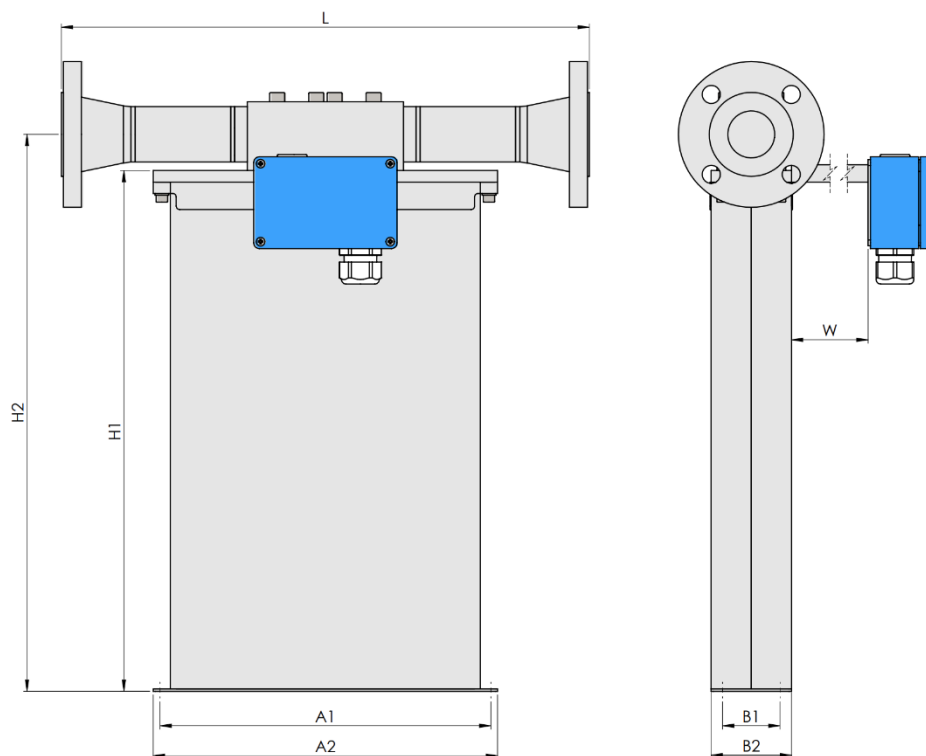


Note

All dimensions are for standard products. For customization of face to face length and/or process connection types other than the ones listed on this page, please consult factory. Note that larger diameter flange process connections are always possible.

Manifold design with flange connections

PMO: parallel tube / dual path



Process Connection PMO	Dim. L mm / in	Dim. H2 mm / in	Order Code
ANSI 1½" 150#RF	460 / 18.11	486 / 19.11	F1
ANSI 1½" 300#RF	460 / 18.11	486 / 19.11	F2
ANSI 1½" 600#RF	500 / 19.69	486 / 19.11	F3
DIN DN40/PN40 Form B1	460 / 18.11	486 / 19.11	C1
DIN DN40/PN100 Form B2	500 / 19.69	486 / 19.11	C2

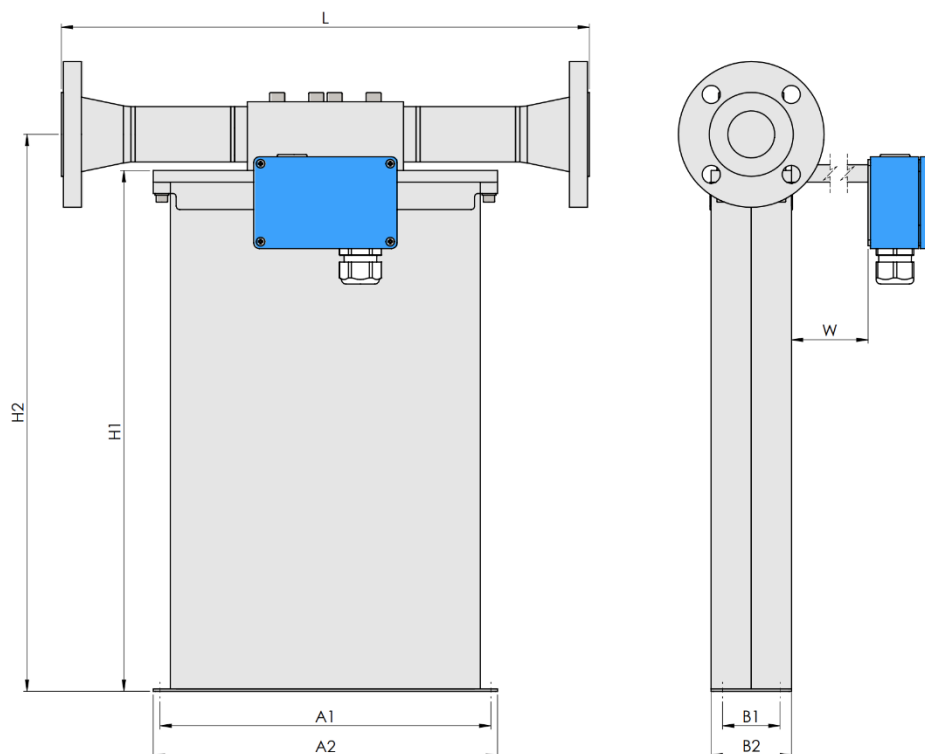
PMO Dimensions	mm / in
A1	285 / 11.22
A2	300 / 11.81
B1	50 / 1.97
B2	70 / 2.76
H1	454 / 17.87
V	26 / 1.02

Weights and Shipping Dimensions

- Approx. weight with 1½" 150# flanges: 10 kg / 22 lb
- Shipping in wooden crate as per ISPM 15, approx. 125 x 85 x 60 cm (50 x 34 x 24 in)
- Gross weight with 1½" 150# flanges and RHE28 transmitter approx. 14 kg / 31 lb

Manifold design with flange connections

SMO: serial tube / single path



Process Connection SMO	Dim. L mm / in	Dim. H2 mm / in	Order Code
ANSI 1½" 150#RF	460 / 18.11	486 / 19.11	F1
ANSI 1½" 300#RF	460 / 18.11	486 / 19.11	F2
ANSI 1½" 600#RF	500 / 19.69	486 / 19.11	F3
DIN DN40/PN40 Form B1	460 / 18.11	486 / 19.11	C1
DIN DN40/PN100 Form B2	500 / 19.69	486 / 19.11	C2

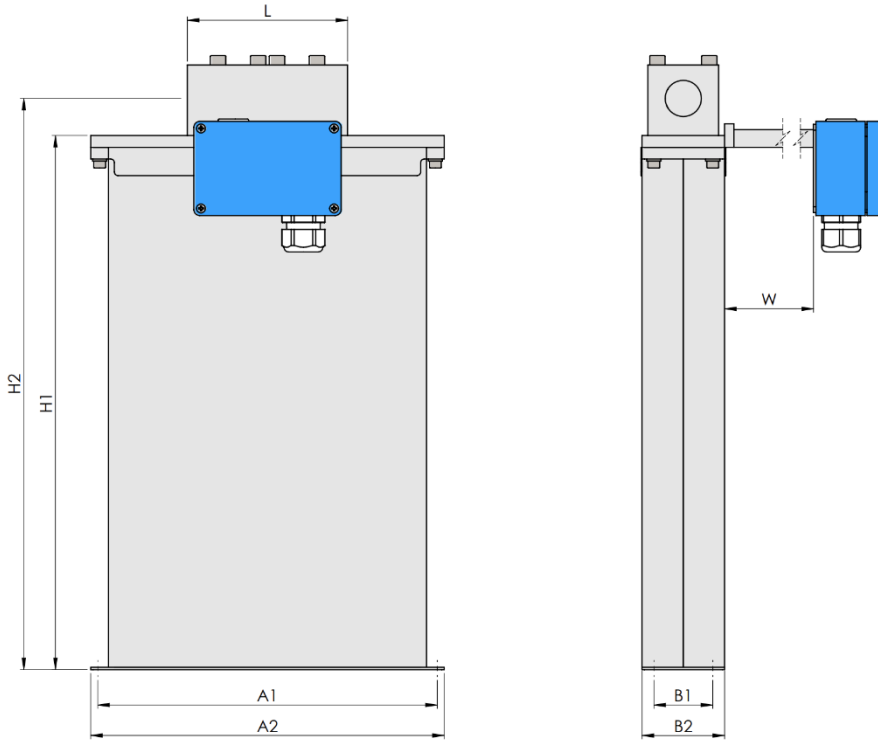
SMO Dimensions	mm / in
A1	285 / 11.22
A2	300 / 11.81
B1	50 / 1.97
B2	70 / 2.76
H1	454 / 17.87
V	26 / 1.02

Weights and Shipping Dimensions

- Approx. weight with 1 ½ " 150# flanges: 10 kg / 22 lb
- Shipping in wooden crate as per ISPM 15, approx. 125 x 85 x 60 cm (50 x 34 x 24 in)
- Gross weight with 1 ½ " 150# flanges and RHE28 transmitter approx. 14 kg / 31 lb

Manifold design with thread connections

PMO: parallel tube / dual path

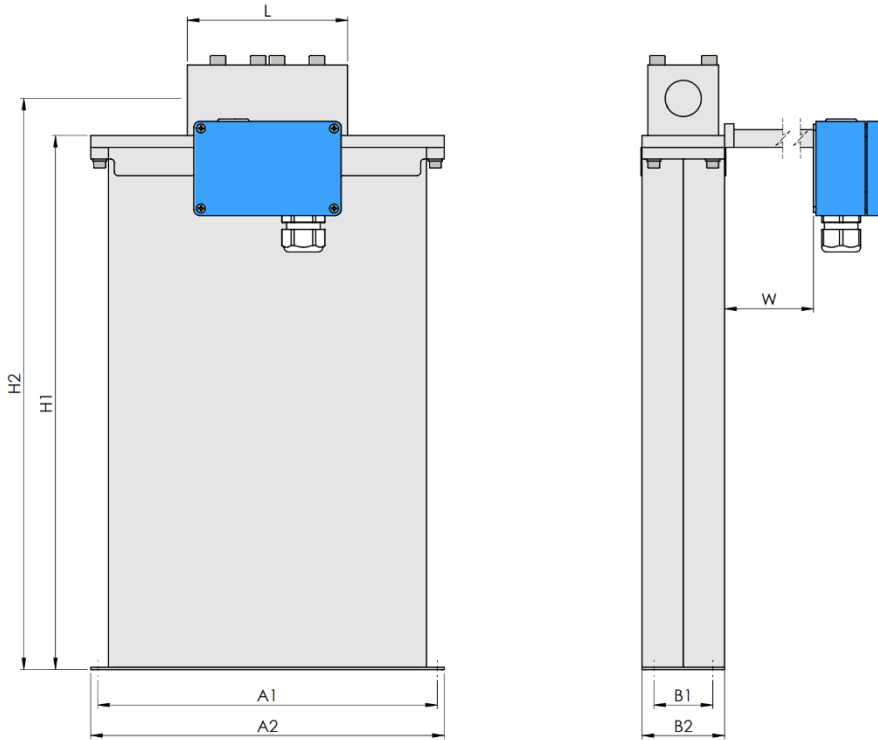


Process Connection PMO	Dim. L mm / in	Dim. H2 mm / in	Order Code
Female Thread G 1"	136 / 5.35	486 / 19.11	G1
Female Thread 1" NPT	136 / 5.35	486 / 19.11	N1

PMO Dimensions	mm/in
A1	285 / 11.22
A2	300 / 11.81
B1	50 / 1.97
B2	70 / 2.76
H1	454 / 17.87
V	26 / 1.02

Manifold design with thread connections

SMO: serial tube / single path

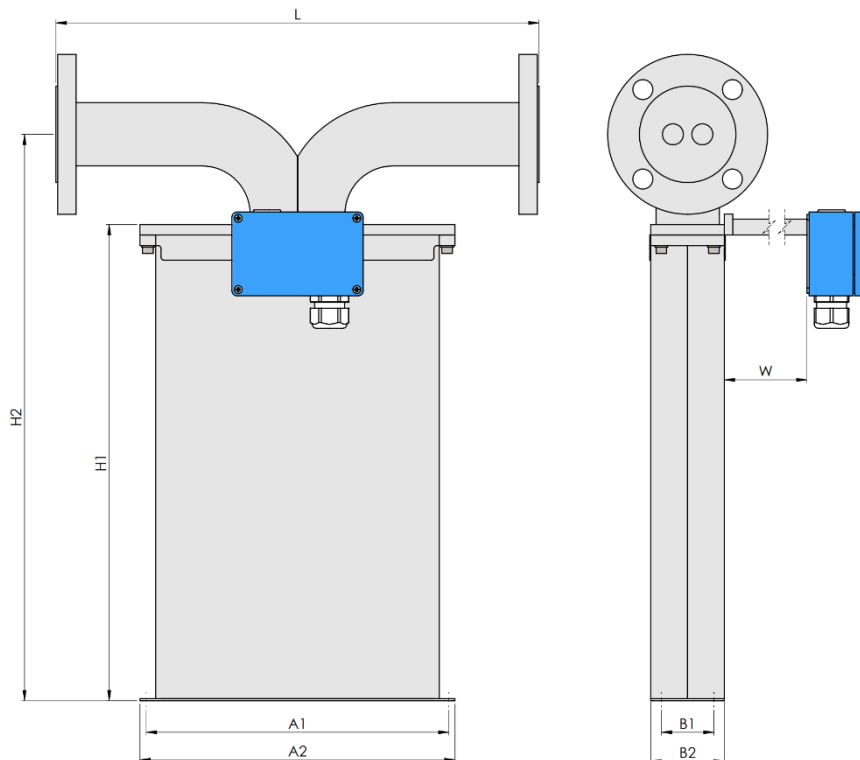


Process Connection SMO	Dim. L mm / in	Dim. H2 mm / in	Order Code
Female Thread G 1"	136 / 5.35	486 / 19.11	G1
Female Thread 1" NPT	136 / 5.35	486 / 19.11	N1

SMO Dimensions	mm / in
A1	285 / 11.22
A2	300 / 11.81
B1	50 / 1.97
B2	70 / 2.76
H1	454 / 17.87
V	26 / 1.02

Sealless design with flange connections

PFO: parallel / dual path



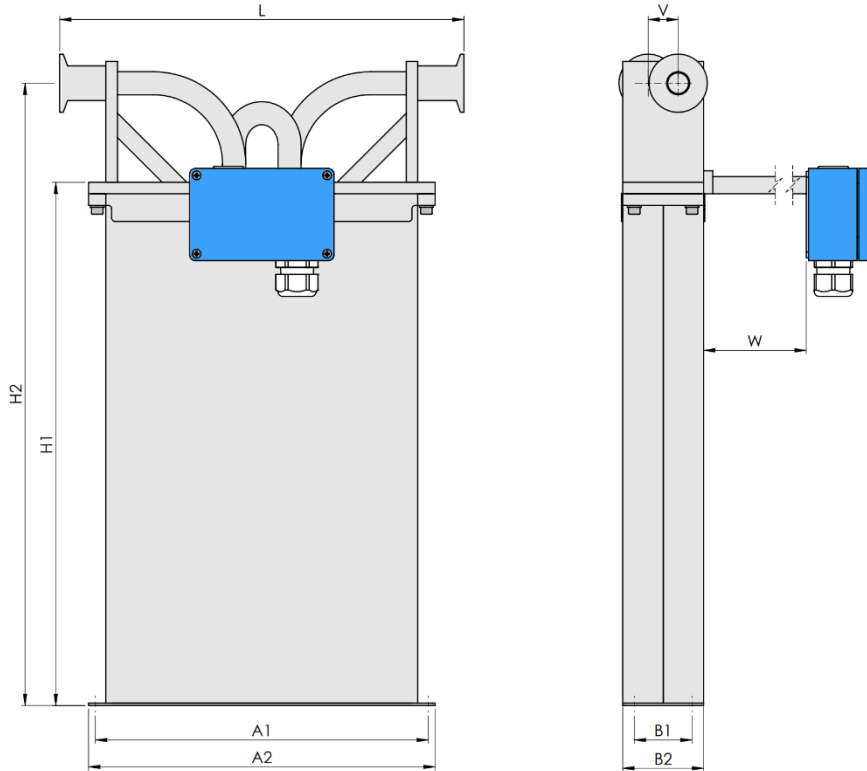
Process Connection PFO	Dim. L mm / in	Dim. H2 mm / in	Order Code
ANSI 2" 150#RF	460 / 18.11	540 / 21.26	A1
ANSI 2" 300#RF	460 / 18.11	540 / 21.26	A2
ANSI 2" 600#RF	500 / 19.69	540 / 21.26	A3
ANSI 2" 1500#RF	500 / 19.69	540 / 21.26	A5
ANSI 2" 1500#RTJ	500 / 19.69	540 / 21.26	R2
DIN DN50/PN40 Form B1	460 / 18.11	540 / 21.26	D1
DIN DN50/PN100 Form B2	500 / 19.69	540 / 21.26	D2
Grayloc Hub 2½" GR20	400 / 15.75	540 / 21.26	H3
Sanitary 1" Triclamp, DIN 32676 (only with SF0)	350 / 13.78	540 / 21.26	S1
Sanitary NW20, DIN 11851 (only with SF0)	350 / 13.78	540 / 21.26	S2

PFO Dimensions	mm / in
A1	285 / 11.22
A2	300 / 11.81
B1	50 / 1.97
B2	70 / 2.76
H1	454 / 17.87
V	26 / 1.02

For other hub connections (e.g. Destec, Galperti, Techlok) please consult factory

Sealless design with flange connections

SFO: serial / single path



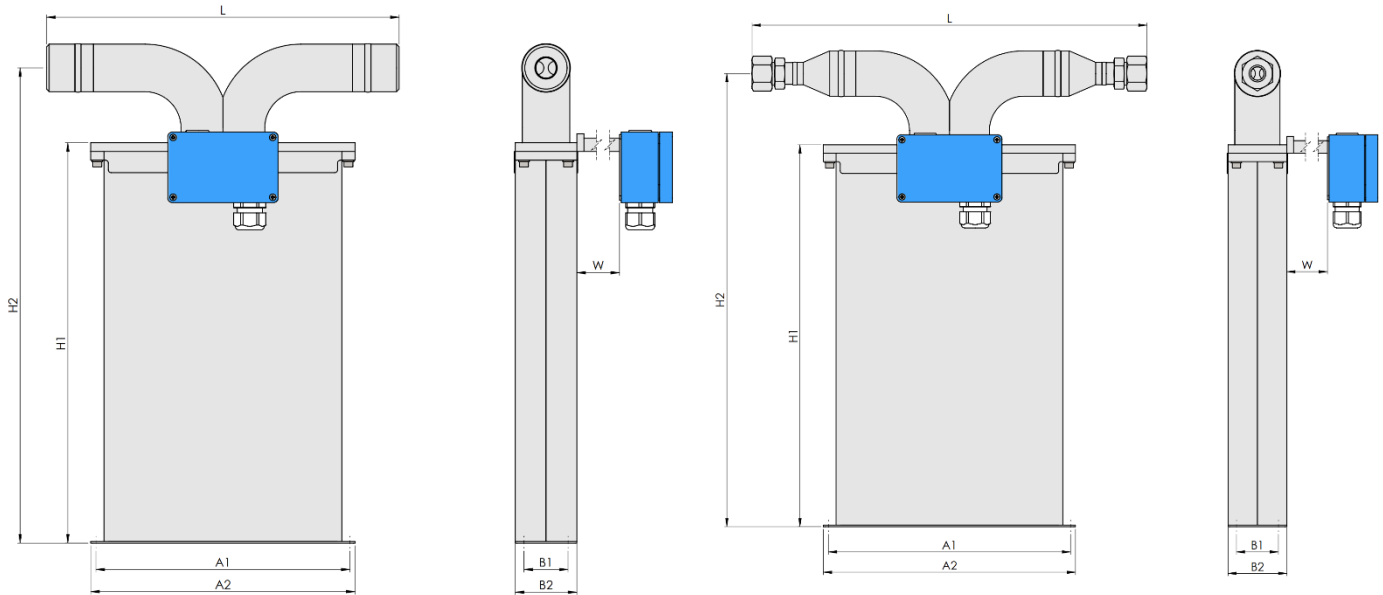
Process Connection SFO	Dim. L mm / in	Dim. H2 mm / in	Order Code
ANSI 2" 150#RF	460 / 18.11	540 / 21.26	A1
ANSI 2" 300#RF	460 / 18.11	540 / 21.26	A2
ANSI 2" 600#RF	500 / 19.69	540 / 21.26	A3
ANSI 2" 1500#RF	500 / 19.69	540 / 21.26	A5
ANSI 2" 1500#RTJ	500 / 19.69	540 / 21.26	R2
DIN DN50/PN40 Form B1	460 / 18.11	540 / 21.26	D1
DIN DN50/PN100 Form B2	500 / 19.69	540 / 21.26	D2
Grayloc Hub 2½" GR20	400 / 15.75	540 / 21.26	H3
Sanitary 1" Triclamp, DIN 32676 (only with SFO)	350 / 13.78	540 / 21.26	S1
Sanitary NW20, DIN 11851 (only with SFO)	350 / 13.78	540 / 21.26	S2

SFO Dimensions	mm / in
A1	285 / 11.22
A2	300 / 11.81
B1	50 / 1.97
B2	70 / 2.76
H1	454 / 17.87
V	26 / 1.02

For other hub connections (e.g. Destec, Galperti, Techlok) please consult factory

Sealless design with thread connections

PFT: parallel / dual path

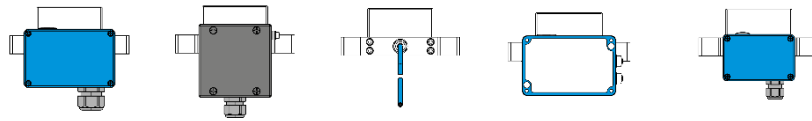


Process Connection PFT	Dim. L mm / in	Dim. H2 mm / in	Order Code
Female Thread G 1"	400 / 15.75	540 / 21.26	G1
Female Thread 1" NPT	400 / 15.75	540 / 21.26	N1
Swagelok 1" tube compression fitting (SS- 1610-1-16W)	560 / 22.05	540 / 21.26	W1

PFT Dimensions	mm / in
A1	285 / 11.22
A2	300 / 11.81
B1	50 / 1.97
B2	70 / 2.76
H1	454 / 17.87
V	26 / 1.02

Transmitter Range

Any Rheonik Mass Flow Transmitter model can be combined with any Rheonik Mass Flow Sensor to provide an overall mass flow measurement system to suit any requirement. Rheonik Coriolis Transmitters are available in versions specifically designed for process, industrial and OEM applications. Economical blind front versions of some transmitters are available where displays and keypads are not required. The wide range of sensors and transmitters provide tremendous options for system designers and end users alike.



Product Code	JM	SM	TM	J5	PM
 RHE 21	✓	✓	✓	-	✓
 RHE 26	✓	✓	✓	-	✓
 RHE 27	✓	✓	✓	-	✓
 RHE 28	✓	✓	✓	-	✓
 RHE 42	✓	✓	✓	-	✓
 RHE 45	-	-	-	✓	-

Options and Manufacturing Instruction Codes

Options Codes	
NN	Without Option
H1	Heating for Housing, Steam - Connection DN15 PN40
H2	Heating for Housing, Steam - Connection ½" ANSI 150 RF
H3	Heating for Housing, Steam - Connection ½" ANSI 300 RF
SB	Housing and base plate in SS 316 - check with factory for lead time
WH	Housing fully welded to base plate - terminal box always set off with this option
T1	Terminal box with cable entry upwards/gas installation
T0	Set-off terminal box for N1, NA Temperature Range (included in E2, E3, H4)
P2	Housing purge NPT ½" (2 pcs)
RD	Enclosure with integrated rupture disk
PD	½" NPT Purge with integrated Rupture Disk (2 bar/29psi)

NOTE: when specifying a sensor with multiple part code options (i.e. P2 and SB), separate each code with a comma in the part string (i.e. ...P2,SB...)

Instructions	
N	No manufacturing instructions
F	Removal of rest water from calibration with compressed air
7	Upgrade to dual rating IP66/67 - only with electrical connection SM
0	Special Cleaning, water and fat free
S	Sea-worthy packing

Additional separate choices

Options	Order Code ORHM-...
E1	Terminal box prepared for ½" NPT cable entry
E2	Terminal box prepared for M25 x 1.5 cable entry - only with electrical connection SM
E3	Terminal box prepared for ¾" NPT cable entry - only with electrical connection SM
TP	Separate TAG Plate in Stainless Steel (TAG Information only)
TP-C	Type Label in Stainless Steel (TAG and all other label information)

Standard cable entry on JM, SM terminal box is M20 x 1.5. Cable entry on PM terminal box is always M16 x 1.5

Hazardous Area Certifications

Code	Zone / Division	Approval	Labeling
A0	Zone 0	ATEX	II 1G Ex ia IIC T6...T1 Ga
A1	Zone 1	ATEX	II 2G Ex ib IIC T6...T1 Gb
AB	Zone 0	ATEX	II 1G Ex ia IIB T6...T1 Ga
AB	Zone 1	ATEX	II 2G Ex ib IIB T6...T1 Gb
A2	Zone 2	ATEX	II 3G Ex ec IIC T6...T1 Gc
A0	Zone 0	IECEX	Ex ia IIC T6...T1 Ga
A1	Zone 1	IECEX	Ex ib IIC T6...T1 Gb
A2	Zone 2	IECEX	Ex ec IIC T6...T1 Gc
C0	Div 1, Zone 0	Zone USA/Kanada	Class I, Div 1, Groups A, B, C and D T6...T1; Class I, Zone 0, AEx ia IIC T6...T1 Ga
CB	Div 1, Zone 0	Zone USA/Kanada	Class I, Div 1, Groups C and D T6...T1; Class I, Zone 0, AEx ia IIB T6...T1 Ga
C2	Zone 2	Zone USA/Kanada	Class I, Zone 2, AEx nA IIC T6...T1 Gc





About Rheonik

Rheonik has but one single purpose: to design and manufacture the very best Coriolis meters available.

Our research and engineering resources are dedicated to finding new and better ways to provide cost effective accurate mass flow solutions that provide value to our customers. Our manufacturing group care for each and every meter we produce from raw materials all the way to shipping, and our service and support group are available to help you specify, integrate, start-up and maintain every Rheonik meter you have in service. Whether you own just one meter or have hundreds, you will never be just another customer to us. You are our valued business partner.

Need a specific configuration for your plant? Don't compromise with a "standard" product from elsewhere that will add extra cost to your installation. If we can't configure it from our extensive and versatile product range, our exclusive **AnyPipeFit Commitment** can have your flow sensor customized with any size/type of process connection and face to face dimension you need.

No matter what control system you use as the backbone in your enterprise, with our **AnyInterface Commitment**, you can be sure that connection and communication will not be a problem. Alongside a wide variety of discrete analog and digital signal connections, we can also provide just about any network/bus interface available (for example: HART, ProfibusDP, ProfiNet, EtherCAT, PowerLink, EtherNet/IP, CAN,) with our RHE 40 Series family of transmitters. Rheonik RHE 40 Series transmitters can connect to your system – no headache and no conversion needed.

Rheonik Messtechnik GmbH
Rudolf-Diesel-Straße 5
D-85235 Odelzhausen
Germany

Tel + 49 (0)8134 9341-0
Info@rheonik.com

