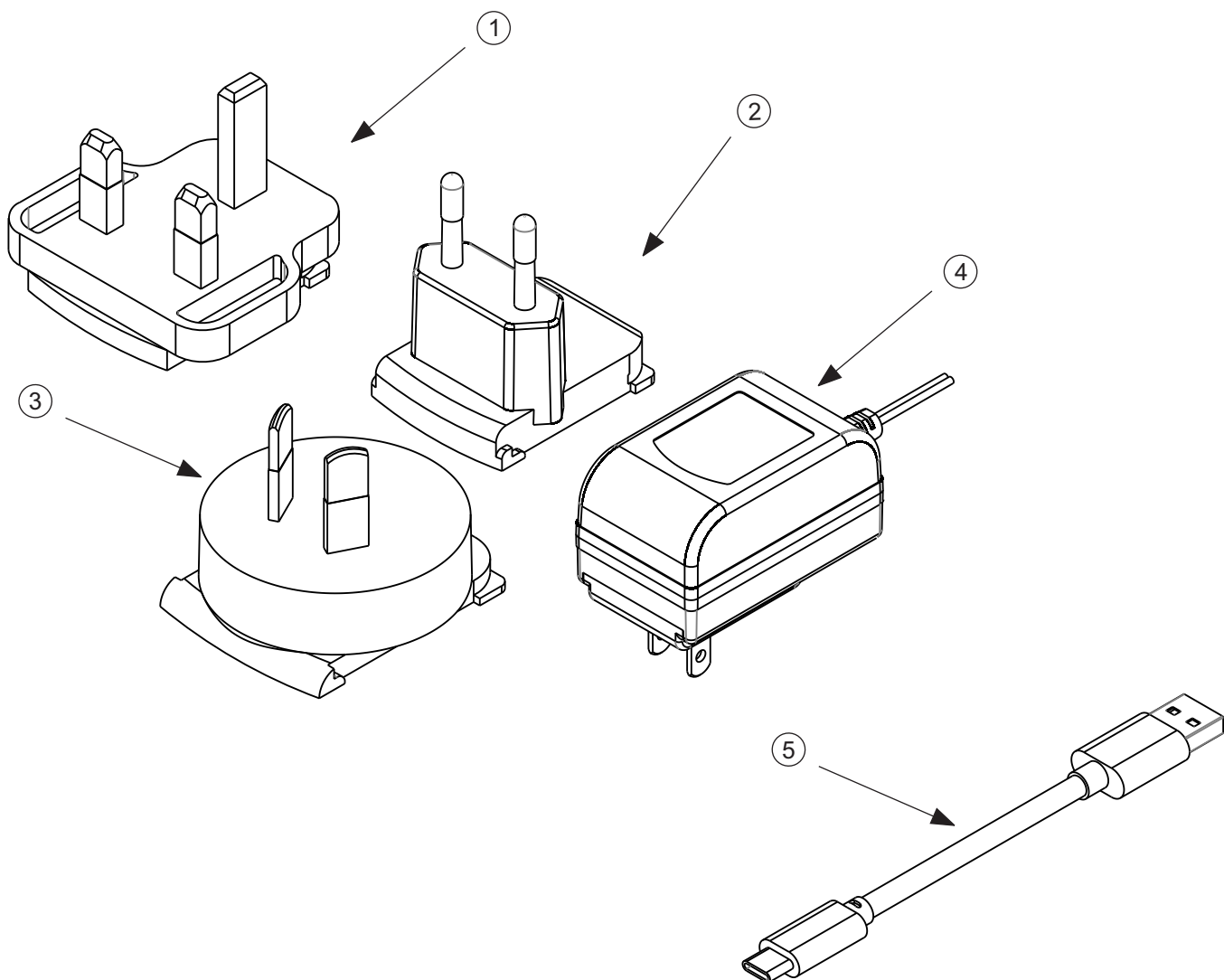


20.0 Replacement parts

20.1 S6A Power Supply Kit

(part number 72000-594)

ITEM NO.	PART NUMBER	DESCRIPTION	QTY
1	90008-723	U.K. Blade Power Supply	1
2	90008-513	Europe Blade Power Supply	1
3	90008-724	Australian Blade Power Supply	1
4	90008-743	Power Supply 120AC/5VDC 2000MA	1
5	90010-597	USB A-C Cable	1



20.2 S6A Fittings Kit

w/AFLAS O-Ring (part number 72000-588)

w/EP O-Ring (part number 72000-647)

ITEM NO.	PART NUMBER	DESCRIPTION	QTY
1	76001-855	Adapter S6A PVC	2
2	90003-565	Cable Gland	2
3	90003-577	O-Ring 2-119 AFLAS	2
3*	90003-153	O-Ring 2-119 EP	2
4	91001-296	Adapter Elbow, .50 MNPT	2
5	91001-295	.50" Barb Adapter	2
6	91001-288	Adapter Elbow SM .50 M/NPT	2
7	91001-287	Adapter, SM.50 M/NPT	2
8	91001-301	Nut Union Molded PVDF	2

*EP O-rings Included with S6A Fittings Kit (72000-647)

