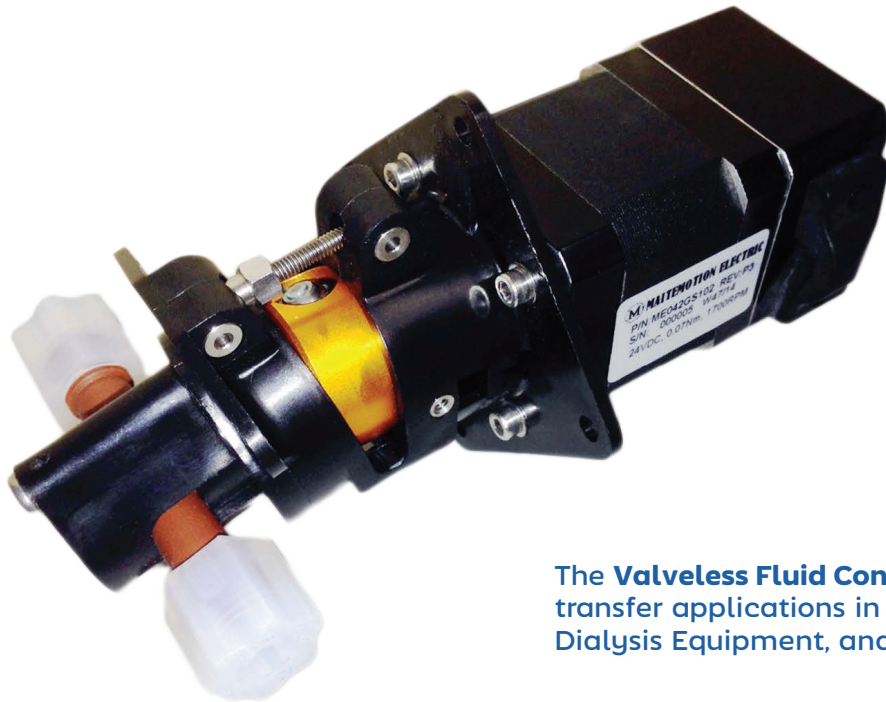


# Fluid metering, inc.

## VALVELESS WASTE TRANSFER PUMP IDEAL FOR OEM MEDICAL AND ANALYTICAL INSTRUMENTATION



The **Valveless Fluid Control Solution** for waste transfer applications in Clinical Chemistry Analyzers, Dialysis Equipment, and Analytical Instrumentation.

### FEATURES

- Valveless fluid control technology having only one moving part in fluid path
- 24V brushless DC motor
- Inert and chemically resistant flow path
- Small compact design
- Adjustable for different flow rates
- REACH and RoHS Certified

### BENEFITS

- Fewer moving parts for long lifetime and less maintenance
- No additional driver needed
- Supports a wide range of chemical applications
- Ideal for OEM and medical instrumentation
- Great for a wide range of applications
- Assurance of high level of quality



Fluid Metering Direct Drive components are certified to ISO 9001:2015 standard and meet EU RoHS and REACH requirements

## VALVELESS WASTE TRANSFER PUMP

IDEAL FOR OEM MEDICAL AND ANALYTICAL INSTRUMENTATION

### PUMP SPECIFICATIONS

- **DIMENSIONS:**  
6" x 2" x 2" (152mm x 51mm x 51mm)
- **SHIPPING WEIGHT:** 2 lbs
- **CALIBRATED FLOW RATE:**  
Pump can be calibrated 20-400mL/min.
- **PUMP PRESSURE RATING:**
  - 60psi (4 Bar) max on outlet
  - Pressure spikes up to approx. 102psi (7 Bar) for a maximum of 10 seconds
- **MOTOR SPEED:**  
Motor speed set to approximately 2000rpm
- **MOTOR DIRECTION:**  
Motor direction set to clockwise rotation

### MOTOR/DRIVER SPECIFICATIONS

**VOLTAGE:**  
24V DC

**VOLTAGE RANGE:**  
22-26V DC

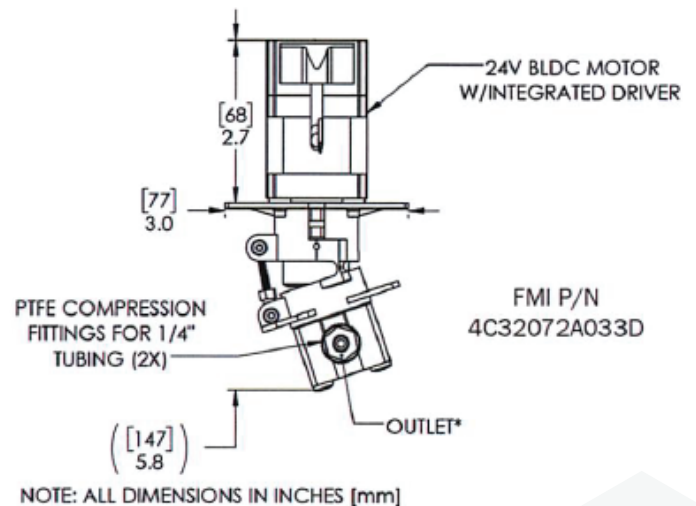
**RATED CURRENT:**  
0.75/0.88amps (Motor/Driver)

**CONTROL MODE:**  
Square Wave Control

**SPEED CONTROL MODE:**  
Open Loop Control

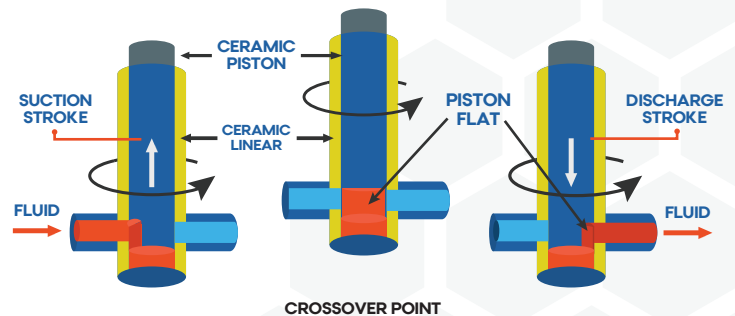
**OPERATING TEMPERATURE:**  
-20°C TO +60°C

**INSULATION CLASS:**  
B



### FMI CERAMPUMP® VALVELESS METERING

The valveless pumping/dispensing function is accomplished by the synchronous rotation and reciprocation of the ceramic piston in the precisely mated liner. One complete revolution is required for each suction/discharge cycle.



**ALSO AVAILABLE:**  
**MODEL STH DISPENSER PUMP**  
with precision stepper motor control

**CONTACT US TODAY TO DISCUSS YOUR NEXT PROJECT**

We offer customized solutions to meet specific application and design requirements. Whether it is a small tweak to an existing technology or full development project, we partner with you to create an ultra-precise microfluidic solution that delivers on all your objectives.