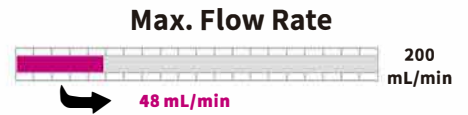
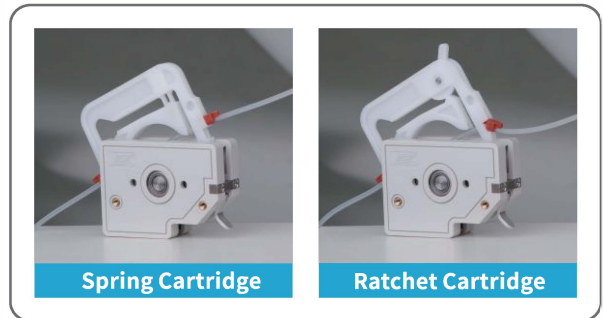
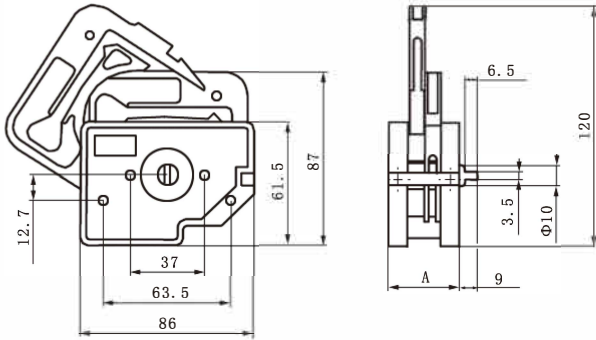
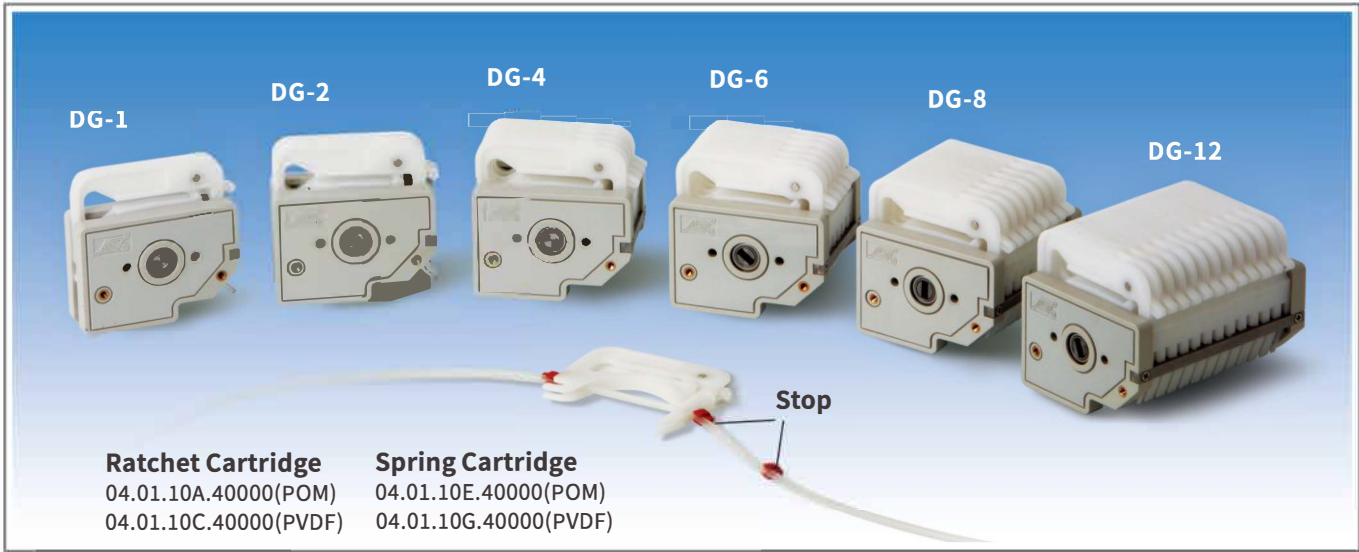


Multi-channel small flow Pump Head



DG Series

PUMP HEADS



Discrete cartridge, special tubing sets, trigger structure of DG-1&DG-2.
 Spring cartridge can adjust the occlusion automatically to accept several different tubing wall thicknesses.
 Ratchet cartridge can adjust the occlusion by adjusting ratchet position to accept several different tubing wall thicknesses.

Model	Roller Number	Product Code	Cartridge Type	Roller Material	Cartridge Material	Channel Number	Speed (rpm)	Tubing	Max. Flow Rate (mL/min)	Weight (kg)		
DG-1-A/C	6	05.01.10A/C	Ratchet	Stainless Steel	DG--A/B cartridge material is POM 04.01.10A.40000	1	≤ 100	ID ≤ 3.17 mm Wall Thickness 0.8mm-1.0mm	48(Single Channel)	0.20		
DG-1-B/D	10	05.01.10B/D							32(Single Channel)	0.21		
DG-1-E/G	6	05.01.10E/G	Spring			DG--C/D cartridge material is PVDF 04.01.10C.40000			2	48(Single Channel)	0.20	
DG-1-F/H	10	05.01.10F/H								32(Single Channel)	0.21	
DG-2-A/C	6	05.01.11A/C	Ratchet						DG--E/F cartridge material is POM 04.01.10E.40000	4	48(Single Channel)	0.26
DG-2-B/D	10	05.01.11B/D									32(Single Channel)	0.27
DG-2-E/G	6	05.01.11E/G	Spring		DG--G/H cartridge material is PVDF 04.01.10G.40000					6	48(Single Channel)	0.26
DG-2-F/H	10	05.01.11F/H									32(Single Channel)	0.27
DG-4-A/C	6	05.01.12A/C	Ratchet			(* is 1,2,4,6,8,12)				8	48(Single Channel)	0.39
DG-4-B/D	10	05.01.12B/D									32(Single Channel)	0.40
DG-4-E/G	6	05.01.12E/G	Spring						12	12	48(Single Channel)	0.39
DG-4-F/H	10	05.01.12F/H									32(Single Channel)	0.40
DG-6-A/C	6	05.01.13A/C	Ratchet	12	12		48(Single Channel)	0.51				
DG-6-B/D	10	05.01.13B/D					32(Single Channel)	0.54				
DG-6-E/G	6	05.01.13E/G	Spring		12	12	48(Single Channel)	0.51				
DG-6-F/H	10	05.01.13F/H					32(Single Channel)	0.54				
DG-8-A/C	6	05.01.14A/C	Ratchet			12	12	48(Single Channel)	0.63			
DG-8-B/D	10	05.01.14B/D						32(Single Channel)	0.67			
DG-8-E/G	6	05.01.14E/G	Spring	12			12	48(Single Channel)	0.63			
DG-8-F/H	10	05.01.14F/H						32(Single Channel)	0.67			
DG-12-A/C	6	05.01.15A/C	Ratchet		12		12	48(Single Channel)	0.88			
DG-12-B/D	10	05.01.15B/D						32(Single Channel)	0.95			
DG-12-E/G	6	05.01.15E/G	Spring			12	12	48(Single Channel)	0.88			
DG-12-F/H	10	05.01.15F/H						32(Single Channel)	0.95			