

Small Flow, Low Pulse, Dispensing Pump Head

Max. Flow Rate



PUMP HEADS

DMD15-13

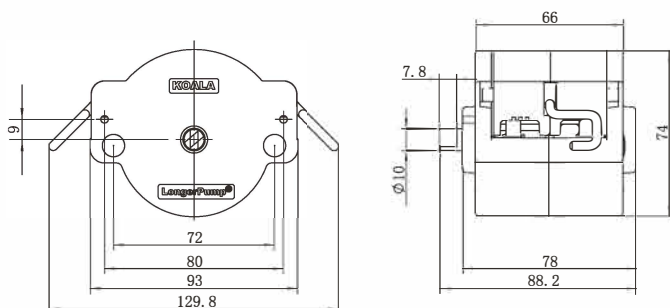
Phase compensation structure



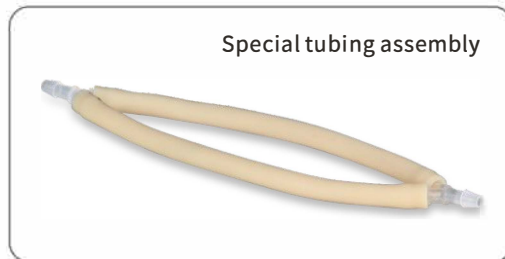
Special tubing assembly, low pulse, high accuracy.

Designed for high precision and small volume dispensing

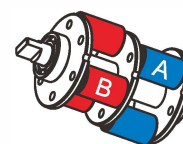
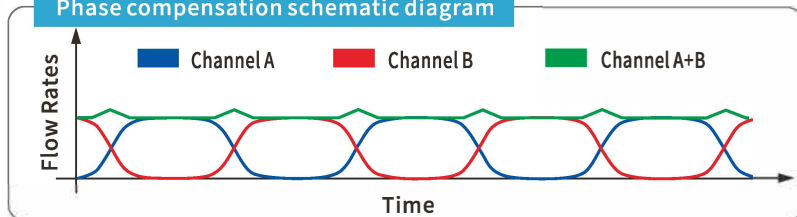
Compact size, easy to use.



Special tubing assembly



Phase compensation schematic diagram



Phase compensation structure diagram

Model (Product Code, Housing Material)	Roller Material	Roller Number	Speed (rpm)	Tubing	Max. Flow Rate (mL/min)	Ref. Dispensing Volume (mL)	Ref. Dispensing Time(s)	Precision	Dispensing Head ID (mm)	Weight (kg)
DMD15-13-B(05.01.04B, PESU) DMD15-13-D(05.01.04D, PPS)	Stainless Steel	3	≤600	2×13"	80	>0.8	>0.6	±2%	≤0.5	0.43
						>1.6	>1.2	±1%	≤0.5	
				2×14"	300	>3	>0.6	±2%	≤1.0	
						>6	>1.2	±1%	≤1.0	
				2×19"	620	>6.2	>0.6	±2%	≤1.5	
						>12.4	>1.2	±1%	≤1.5	
				2×16"	960	>9.6	>0.6	±2%	≤2.0	
						>19.2	>1.2	±1%	≤2.0	
				2×25"	2070	>20.7	>0.6	±2%	≤3.0	
						>41.4	>1.2	±1%	≤3.0	